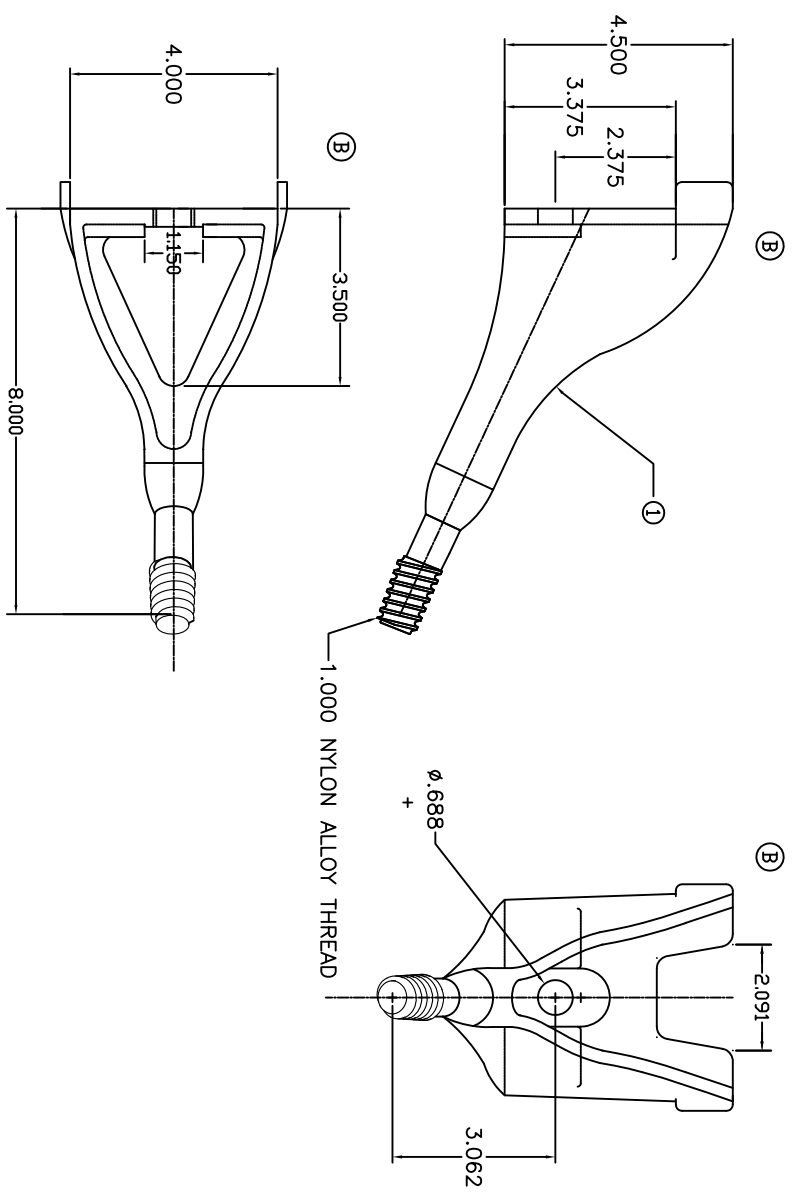


A | B | C | D | E | F

PAPER SIZE	DRAWING NUMBER
B SIZE	GD-P402Z
REV	ECO
A	11-09-09 9740
B	07-15-11 10304

MATERIAL:
 THREAD: NYLON ALLOY
 CASTING: DUCTILE IRON

- (B)** NOTES:
 1. ALL DIMENSIONS ARE REFERENCE AND IN INCHES.
 2. ALL ITEMS GALVANIZED EXCEPT 1.000 THREAD.
 WORKMANSHIP PER ASTM A-153.



TOLERANCES UNLESS SPECIFIED		DRAWN BY		ENGINEER		CHECKER		CATALOG #		SCALE		DESIGN DATE	
0.XX	inch	RRL	RRL	JBB	P402Z	NTS				7-11-11			
0.XXX	ANGLE	DRAWING TITLE / DESCRIPTION										DRAWING NUMBER	
		PIN X ARM W/ NA THD										GD-P402Z	

This drawing contains confidential information that is the property of Maclean Power, L.L.C. ("Maclean"). Use of Maclean's confidential information without Maclean's express written consent is strictly prohibited and may expose you to legal liability. If you believe that you received this material in error, please destroy it or return it to "Maclean Power, L.L.C., 11411 Addison, Franklin Park, Illinois 60131, USA."

DRAWING-COMPUTER LOCATION

