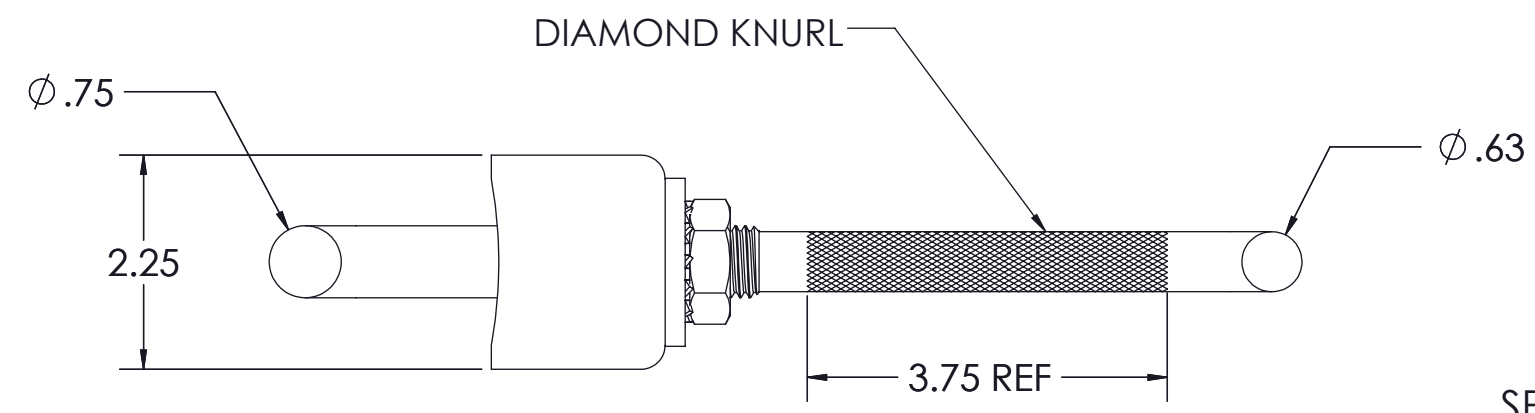
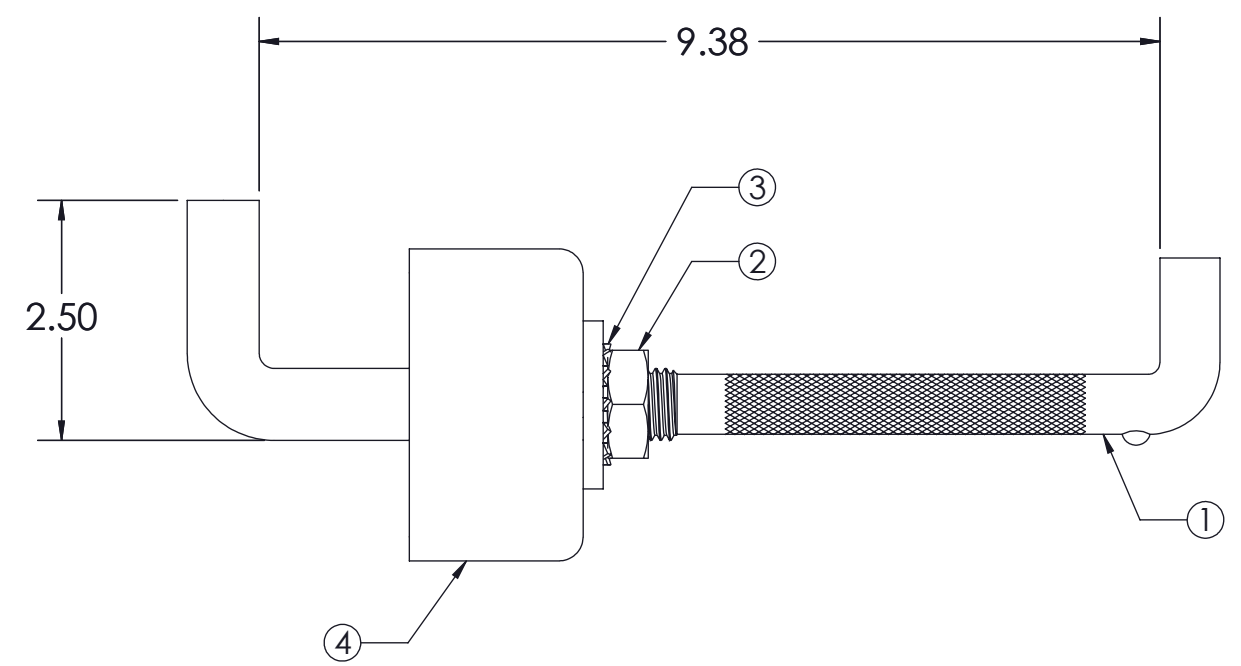


PAPER SIZE		DRAWING NUMBER	
<b>B</b>		<b>GD-SI-0040ELK</b>	
REV	REVISED BY	REVISION DATE	ECO #
A	JDK	4-12-18	D9071



**SPECIFICATIONS:**

POLE RANGE: 12" TO 20" DIAMETER, 0.35" TO 1.575" WALL  
 STRENGTH: STRENGTH RATING PENDING TEST RESULTS  
 DROP TEST: DROP LOAD RATING PENDING TEST RESULTS  
 ASSEMBLY: MOUNTS INTO 13/16" DIAMETER HOLE



ITEM	DESCRIPTION	MATERIAL/FINISH
1	ROD	STAINLESS
2	3/4"-10 HEX NUT	STAINLESS
3	3/4" STAR WASHER	STAINLESS
4	PLATE/BUSHING ASSM	STAINLESS

This drawing contains confidential information that is the property of MacLean Power, L.L.C. ("MacLean"). Use of MacLean's confidential information without MacLean's express written consent is strictly prohibited and may expose you to legal liability. If you believe that you received this material in error, please destroy it or return it to "MacLean Power, L.L.C., 11411 Addison Street, Franklin Park, Illinois 60131, USA."

UNLESS OTHERWISE SPECIFIED DIMENSIONS ARE IN:	
<b>INCHES</b>	
TOLERANCES ARE:	
.X	+/- 0.1
.XX	+/- 0.03
.XXX	+/- .015
ANGLES	+/- 1.0°



DRAWING NUMBER: <b>GD-SI-0040ELK</b>		DO NOT SCALE DRAWING	
SHEET NAME: <b>Sheet1</b>		1 OF 1	
DRAWING DESCRIPTION: KNURLED POLE STEP		CAD GENERATED DRAWING DO NOT MANUALLY UPDATE	
DRAWING SCALE:		DESIGN DATE: <b>04-12-18</b>	
		DRAWN BY:	JDK
		ENGINEER:	MAW
		APPROVED:	