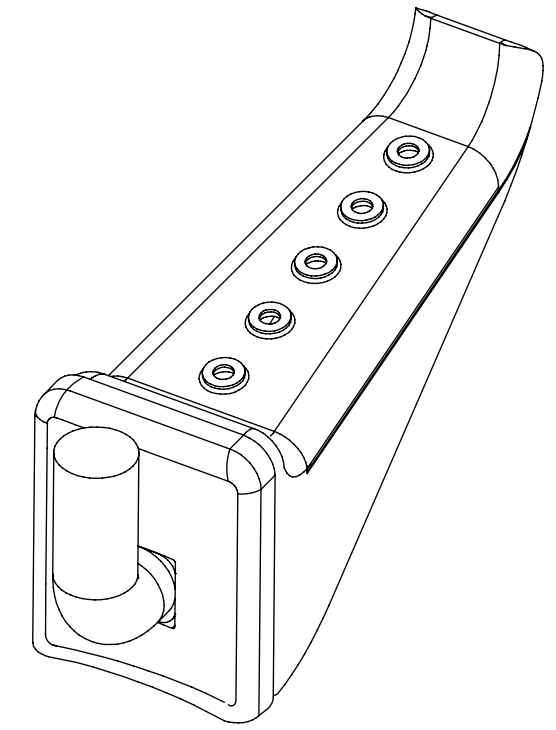
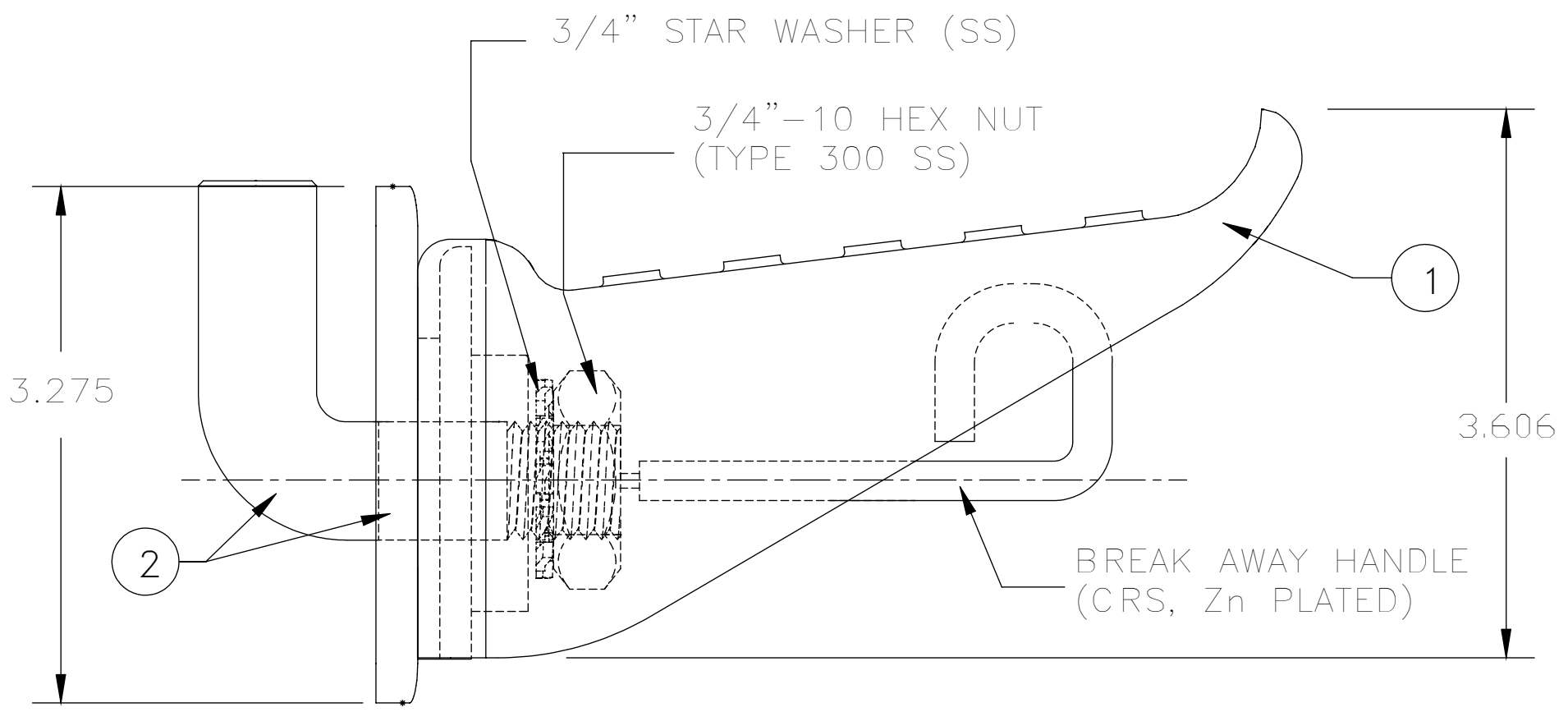
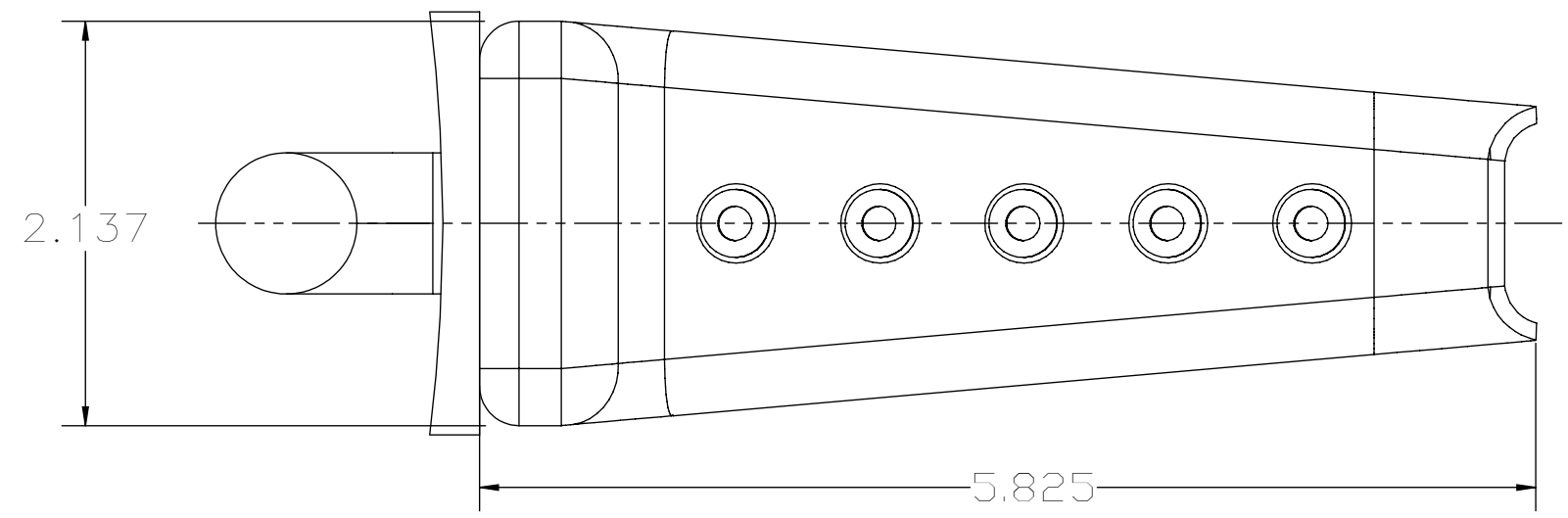


PAPER SIZE		CATALOG NUMBER	
B		GD-SI0041	
REV	REVISED BY	REVISION DATE	ECO #
A	BTS	07-03-2014	11268

SPECIFICATIONS

POLE RANGE: FIBERGLASS – 12" TO 20"
DIAMETER, 3/8" WALL.
STEEL – 10" DIAMETER, 7 GAGE.
ASSEMBLY: MOUNTS INTO 13/16" DIAMETER HOLE.



ITEM	DESCRIPTION	MATERIAL/FINISH	PART NO.
1	STEP	.093" CR STEEL GALVANIZED	SI-0047
2	POLE BOLT ASSY	SEE ABOVE	SI-0048

This drawing contains confidential information that is the property of MacLean Power, L.L.C. ("MacLean"). Use of MacLean's confidential information without MacLean's express written consent is strictly prohibited and may expose you to legal liability. If you believe that you received this material in error, please destroy it or return it to "MacLean Power, L.L.C., 481 Munn Rd, Suite 300, Fort Mill, SC 29715 USA."

**MACLEAN
POWER
SYSTEMS**
WWW.MACLEANPOWER.COM

DRAWING NUMBER:	
GD-SI0041	
SHEET NAME:	1 OF 1
Model	
DRAWING DESCRIPTION:	
REMOVABLE POLE STEP	
DRAWN BY: BTS	DESIGN DATE: 07-03-14