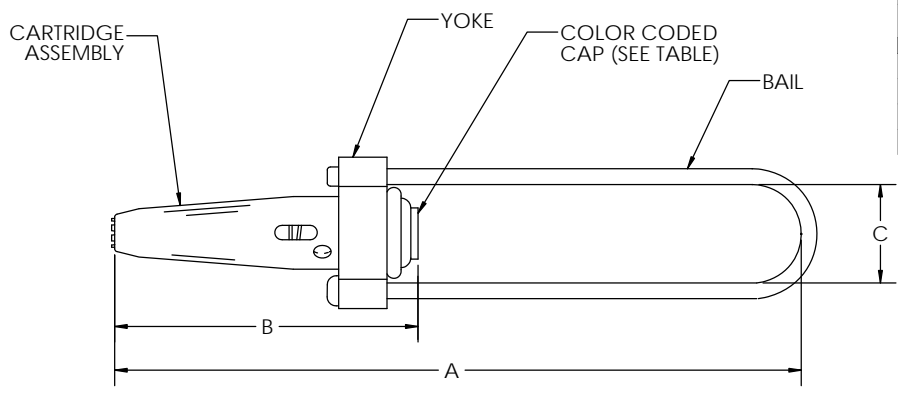


Catalog Number	A	B	C	Bail Type	Standard Pack
3/16" Universal Grade - Wire Range: .145-.215 Cap = Red					
5199	10.12	4.66	1.63	A	50
5255	12.75	4.66	2.75	E	25
5261	22.31	4.66	2.75	E	25
1/4" Universal Grade - Wire Range = .215-.270 Cap = Yellow					
5200	10.38	4.88	1.63	A	50
5250	13.87	4.88	2.25	B	50
5200L	13.87	4.88	1.63	C	50
5262	22.62	4.88	2.75	E	25
5268	28.63	4.88	2.75	E	25
5/16" Universal Grade - Wire Range = .270-.315 Cap = Black					
5201	10.69	5.38	1.63	A	50
5251	14	5.38	2.25	B	50
5201L	15.75	5.38	1.63	C	50
5257	14.06	5.38	2.75	E	20
5263	23.44	5.38	2.75	E	25
5269	29.69	5.38	2.75	E	20
3/8" Universal Grade - Wire Range = .325-.392 Cap = Orange					
5202	12.88	6.47	1.63	A	25
5252	15.12	6.47	2.25	B	25
5252-6	15	6.47	2.75	D	25
5202L	18	6.47	2	C	25
5264	25	6.47	2.75	E	20
5270	31	6.47	2.75	E	20
7/16" Universal Grade - Wire Range = .392-.455 Cap = Green					
5203	14.75	6.72	2.06	A	25
5253-6	17.25	6.72	2.75	D	25
5203L	21	6.72	2	C	25
1/2" Universal Grade - Wire Range = .455-.520 Cap = Blue					
5204	16.31	7.09	2.06	A	20
5254	17.5	7.09	2	B	20
5254-6	17.38	7.09	2.75	D	20
5204L	20.5	7.09	2	C	20

This drawing contains confidential information that is the property of MacLean Power, L.L.C. ("MacLean"). Use of MacLean's confidential information without MacLean's express written consent is strictly prohibited and may expose you to legal liability. If you believe that you received this material in error, please destroy it or return it to "MacLean Power, L.L.C., 481 Munn Rd, Suite 300, Fort Mill, SC 29715 USA."



PAPER SIZE	CATALOG NUMBER		
B	GD-STRANDVISE		
REV	REVISED BY	REVISION DATE	ECO #
A		03-13-13	10834
B	RHJ	05-15-14	11288
C	BTS	09-15-14	11446
D	SG	08-19-16	12260

Catalog Number	A	B	C	Bail Type	Standard Pack
3/16" All Grades - Wire Range = .185-.193 Cap = Red					
5099	8.1	2.97	1.63	A	50
1/4" All Grades - Wire Range = .140-.215 Cap = Yellow					
5100	9.6	3.94	1.63	A	50
5150	12.8	3.94	2.25	B	50
5100L	13.1	3.94	1.63	C	25
5/16" All Grades - Wire Range = .310-.335 Cap = Black					
5101	9.9	4.37	1.63	A	50
5151	13.1	4.37	2.25	B	50
5151-6	13.3	4.37	2.75	D	50
5101L	14.9	4.37	1.63	C	25
3/8" All Grades - Wire Range = .360-.405 Cap = Orange					
5102	11.9	5	1.63	A	50
5152	13.8	5	2.25	B	50
5152-6	13.5	5	2.875	D	25
5102L	17.0	5	1.63	C	25

STRAND SIZE	END CAP COLOR
3/16"	RED
1/4"	YELLOW
5/16"	BLACK
3/8"	ORANGE
7/16"	GREEN
1/2"	BLUE

- NOTES:
- ALL DIMENSIONS ARE REFERENCE AND IN INCHES.
 - MATERIALS: YOKE-ALUMINUM, BAIL-STAINLESS STEEL

CARTRIDGE ASSEMBLY MATERIAL:
 TUBING: ALUMINUM ALLOY
 JAWS: CHROMATE PLATED STEEL
 PILOT CUP: PLATED STEEL
 WASHER: PLATED STEEL



DRAWING NUMBER: GD-STRANDVISE	
SHEET NAME: Layout1	1 OF 1
DRAWING DESCRIPTION: UNIVERSAL STRANDVISE	
DRAWN BY: JBB	DESIGN DATE: 03-13-13