

GROUNDING BALL STUDS

855.MPS.SHIP
www.maclepower.com

 **MacLean**[™]
POWER SYSTEMS

Grounding Ball Studs (5H)



Grounding Ball Studs (5H) Features:

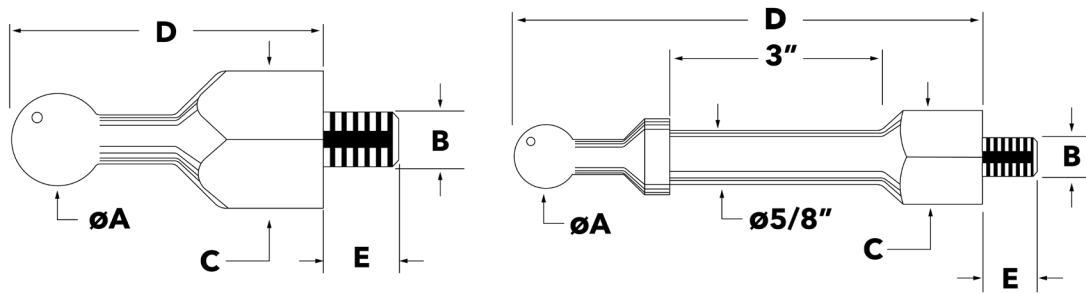
- Permanent grounding ball studs permit universal and ball stud clamps to be used for different electrical systems such as apparatus, bus bar, conductors, vehicles, reels, etc
- Spherical form of grounding ball stud permits installation of grounding clamp at various angles to reach the most inaccessible areas
- Meets ASTM and IEC standards
- Stainless steel hardware (washer, lock washer, and nut) included (if applicable)

Materials:

- 99.9% electrolytic tin-plated copper

CONTINUE TO NEXT PAGE...

Grounding Ball Studs (5H)



CATALOG NUMBER	DIM. A	DIM. B	DIM. C	DIM. D	DIM. E	WEIGHT (LBS)	STD PKG
03M006	20mm	1/2 - 13	7/8	2 15/16	No Screw	0.25	25
03M00605	20mm	1/2 - 13	7/8	2 15/16	1/2	0.28	25
03M0061*	20mm	1/2 - 13	7/8	2 15/16	1	0.38	25
03M026	20mm	1/2 - 13	7/8	4	No Screw	0.6	25
03M02605	20mm	1/2 - 13	7/8	4	1/2	0.7	25
03M02610*	20mm	1/2 - 13	7/8	4	1	0.7	25
HC30015	20mm	1/2 - 13	7/8	6	No Screw	0.8	25
HC3001505	20mm	1/2 - 13	7/8	6	1/2	0.9	25
HC300151*	20mm	1/2 - 13	7/8	6	1	0.9	25
03M027	20mm	5/8 - 11	1	4	No Screw	0.8	25
03M02705*	20mm	5/8 - 11	1	4	1/2	0.9	25
03M0271*	20mm	5/8 - 11	1	4	1	0.9	25
HC30028	20mm	5/8 - 11	1	2 5/8	No Screw	0.35	25
HC3002805	20mm	5/8 - 11	1	2 5/8	1/2	0.45	25
HC300281*	20mm	5/8 - 11	1	2 5/8	1	0.58	25
HC30029	25mm	1/2 - 13	1	3	No Screw	0.48	25
HC3002905	25mm	1/2 - 13	1	3	1/2	0.56	25
HC300291*	25mm	1/2 - 13	1	3	1	0.66	25
HC30036	25mm	1/2 - 13	1	6 1/4	No Screw	0.88	25
HC3003605	25mm	1/2 - 13	1	6 1/4	1/2	0.95	25
HC300361*	25mm	1/2 - 13	1	6 1/4	1	1.04	25
HC30037	25mm	5/8 - 11	1	3	No Screw	0.51	25
HC30033	25mm	5/8 - 11	1	3	1/2	0.46	1
HC300371*	25mm	5/8 - 11	1	3	1	0.74	25
HC30012	30mm	5/8 - 11	1 1/2	4 3/8	No Screw	1.15	25
HC3001205	30mm	5/8 - 11	1 1/2	4 3/8	1/2	1.35	25
HC300121*	30mm	5/8 - 11	1 1/2	4 3/8	1	1.55	25

* - Hardware required

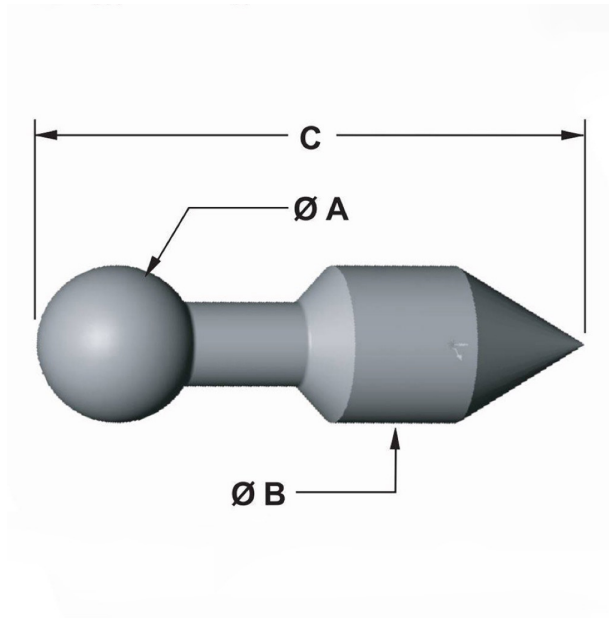
HC-30033 used as a grounding ball stud on 01-M-037

Other length for 'E' available upon request (e.g. HC-30029-3.5 for 3.5" length)

20mm and 25mm grounding ball studs are rated for 35kA per IEC 61230 and 47kA per ASTM F 855

30mm grounding ball studs are rated for 60kA per IEC 61230 and 74kA per ASTM F 855

Grounding Ball Stud For CADWELD Connections



CATALOG NUMBER	DIM. A	DIM. B	DIM. C	WEIGHT(LBS)	STD PKG
HC3005520	20mm	5/8	2 25/32	0.2	1
HC3005525	25mm	7/8	4 11/50	0.3	1
HC3005530	30mm	7/8	3 7/8	0.4	1

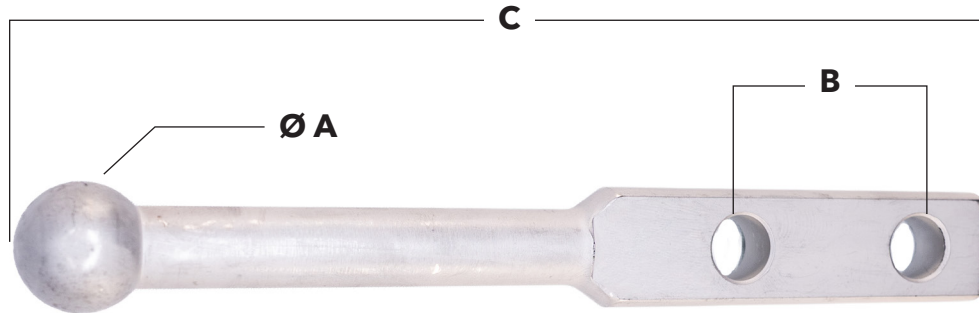
Grounding Ball Stud for CADWELD Connections Features:

- Permanent welded grounding ball stud allowing the installation of either a universal or ball stud grounding clamp to a steel structure
- Grounding ball stud can be installed in most inaccessible areas

Materials:

- 99.9% electrolytic tin-plated copper

Grounding Ball Stud For NEMA Pad Connections (5H)



CATALOG NUMBER	DIM. A	DIM. B	DIM. C	WEIGHT (LBS)	STD PKG
HC30044	25mm	1 3/4	7 1/4	0.90	1
HC30044SCL	25mm	1 3/4	8 1/3	1.03	1

Grounding Ball Stud for NEMA Pad Connections (5H) Features:

- Grounding ball stud allowing the installation on NEMA Pad

Materials:

- 99.9% electrolytic tin-plated copper

Insulated Protective Cap



CATALOG NUMBER	DIM. A	DIM. B	GROUND STUD	WEIGHT(LBS)	STD PKG
01P064	2 1/2	4 5/8	20mm	0.20	1
01P06425	3 1/4	5 7/8	25mm	0.24	1
01P06430	4 5/8	7 1/4	30mm	0.40	1

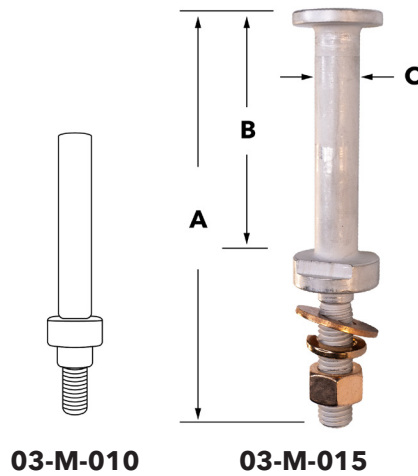
Insulated Protective Cap Features:

- Used to insulate 20 mm, 25 mm or 30 mm grounding ball studs and protects from contamination
- Handle for installation with a shotgun stick

Materials:

- Polyurethane

Grounding Studs and Terminal



CATALOG NUMBER	DESCRIPTION	CONNECTOR		DIM. A	DIM. B	DIM. C	DIM. THREAD	CAPACITY		WEIGHT (LBS)	STD PKG
		MATERIAL						15 CYCLES	30 CYCLES		
03M010	Grounding Stud	Tin-Plated Copper		3 5/8	2 23/64	7/16	3/8 - 16 UNC	12kA (IEC) 15kA (STM)	11.5kA (ASTM)	0.7	25
03M015	Grounding Stud	Tin-Plated Copper		7 1/8	4 1/8	3/4	5/8 - 11 UNC	55k (IEC) 68kA (ASTM) Grade 7H	51.3kA (ASTM)	1.24	25

Notes:

- 03M010 includes stainless steel hardware (lock washers, flat washers, and nut)
- 03M015 includes bronze hardware (lock washers, flat washers, and nut)

Grounding Studs and Terminals Features:

- Can be installed on all electrical facilities such as apparatus, tubes, conductors, tracks, pulling equipment, etc