

# GROUNDING CLAMPS



855.MPS.SHIP  
[www.maclepower.com](http://www.maclepower.com)

 **MacLean**<sup>™</sup>  
POWER SYSTEMS

# Grounding Products

## MacLean Grounding Solutions

The construction and maintenance of transmission and distribution overhead lines and substations require products that provide operator efficiency and safety.

MPS lightweight aluminum alloy safety grounds meet the requirements of IEC 61230 and ASTM F-855 for distribution and transmission applications. MacLean Power Systems offers a wide array of personal grounding products, safety and warning systems, hand tools and accessories that assist utilities in meeting OSHA 1910.269 requirements for worker safety.

## Grounding Clamps

- Can be installed on all electrical facilities, apparatus, tubes, ball stud and various equipment (trucks, pulling equipment, etc)
- 2" IPS C-Clamp for substation application
- Versatile range of clamps including C-Clamp, duckbill, and ball stud
- Ability to install with hot stick (standard eye screw) or T-handle options
- Stress-relief to reduce cable damage and serve as a shock damper if fault occurs
- Lubrication chamber for upkeep of threads
- Grade 5H, 6H, and 7H certified
- All clamps use 5/8-11 Ferrule. (HC10041A and 01M080A uses 3/4-10 size ferrule)



HC-10015A



01-M-037



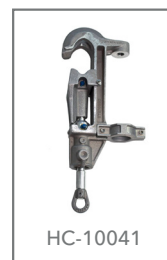
HCDB117



01-M-044



01-M-070A



HC-10041



01-M-080

CATALOG NUMBER	JUMPER CABLE		MAIN CONDUCTOR (in.)		CLAMP DESCRIPTION	DISTRIBUTION	SUBSTATION	TRANS.	FAULT CURRENT RATING
	MIN.	MAX.	MIN.	MAX.					
HC-10015A	#2	4/0	25mm	25mm	Bronze Ball Stud Clamp	X	X	-	
			Grounding Ball Stud	Grounding Ball Stud					
01-M-037	#2	4/0	(0.13), #8	(1.13), 795 MCM	C-Clamp	X	X	-	
HCDB117	#2	4/0	(0.16), #6	(1.16), 900 MCM	Duckbill Clamp	X	X	-	5H
01-M-044	#2	4/0	(0.20), #4	(2-3/8), 2" IPS	Universal C-Clamp, 25mm Ball	X	X	X	
01-M-070A*	#2	4/0	(0.16), #6	(2-3/8), 2" IPS	Universal C-Clamp 25&30mm Ball	X	X	X	
HC-10041	#2	4/0	(0.40), 1/0	(1.60), 1780 MCM	Large Universal C-Clamp, 30mm Ball	X	X	X	
HC-10041A	350 MCM	350 MCM	(0.40), 1/0	(1.60), 1780 MCM	Large Universal C-Clamp, 30 mm Ball	X	X	X	7H
01-M-080	#4	4/0	(0.16), #6	(2.875)	Universal C-Clamp	X	X	X	5H
01-M-080A	350 MCM	350 MCM	(0.16), #6	(2.875)	Universal C-Clamp	X	X	X	6H

Grade 5H: 47kA current rating at 15 cycles, 126kA maximum peak, 70kA last cycle peak

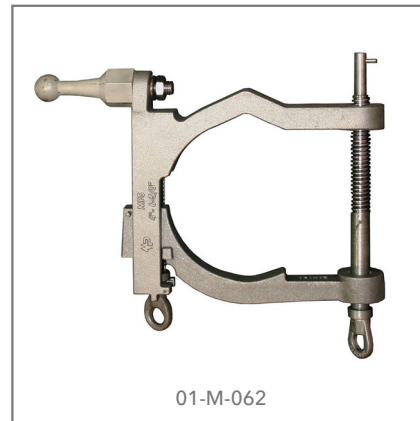
Grade 6H: 55kA current rating at 15 cycles, 148kA maximum peak, 82kA last cycle peak

Grade 7H: 68kA current rating at 15 cycles, 183kA maximum peak, 101kA last cycle peak

\*Add HO for Fine Thread option

## Grounding Clamp

- Grounding stud connectors designed to fit either a 1.6" to 4.5" IPS or a 4.5" to 6.625" IPS tube or flatbar
- Installed with a hot stick without the weight of the grounding cable
- Allows use of a grounding cable with smaller clamps to minimize weight
- Available with 25 mm ball stud, 30 mm ball stud or parking stand
- Lubrication chamber for upkeep of threads
- Grade 5H certified



CATALOG NUMBER	CONNECTION	CLAMPING RANGE (in.)		DISTRIBUTION	SUBSTATION	TRANS.	FAULT CURRENT RATING
		MIN.	MAX.				
01-M-046	03-M-015 Grnd Stud			X	X	X	5H
01-M-047	25mm Ball Stud	1.6 round or flat	4.5 round or flat	X	X	X	
01-M-048	30 mm Ball Stud			X	X	X	
01-M-061	03-M-015 Grnd Stud			X	X	X	
01-M-062	25 mm Ball Stud	4.5 round or fit	6.625 round or flat	X	X	X	
01-M-063	30 mm Ball Stud			X	X	X	

Grade 5H: 47kA current rating at 15 cycles, 126kA maximum peak, 70kA last cycle peak

# Features of the MacLean Power Grounding System

Strong H-Frame Design

High Quality Electrical Interface

Strain Relief

ID Label

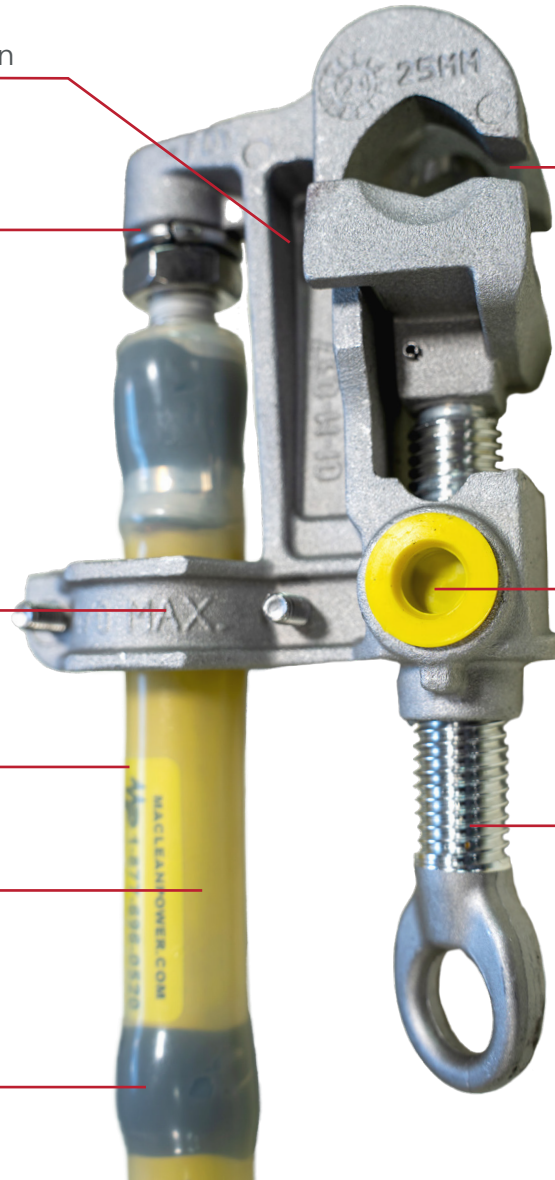
Shrink Tube

Sealing Tape

Versatile Design  
Wide Application Range

Service/Parking Stud Port

Forged Aluminum Eyescrew



MacLean Power Systems  
481 Munn Road, Suite 300  
Fort Mill, SC 29715 USA  
Fax: 803.396.8601  
macleanpower.com

Customer Service 1.800.MPS.SHIP  
info@macleanpower.com

