



MacLean Power Systems
 7801 Park Place Rd., York, SC 29745
 USA (803) 628-2100

MPS Catalog Number

H0 40 70 004 MX SS 002

Revision: A

Date 11/4/2020

End Fittings

Tower End Fitting: 3/4"-10 Round Base (Galv. Duct. Iron)

Line End Fitting: F-Neck (Aluminum)

Material

Number of Sheds: 2
 Rod Diameter: 1-1/2"
 Weight Estimate: 6.9 lbs 3.1 kg

Dimensional Values

Section Length (L): 11.7 in 297 mm
 Rubber Length (X): 4.0 in 102 mm
 Shed Height (P): 2.3 in 58 mm
 Shed Diameter (B): 6.5 in 165 mm
 Shed Spacing (S): 2.0 in 51 mm
 Dry Arc Distance: 6.2 in 157 mm
 Leakage Distance: 12.2 in 310 mm

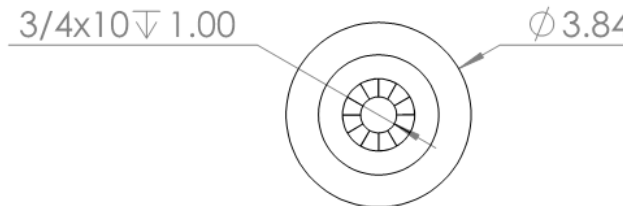
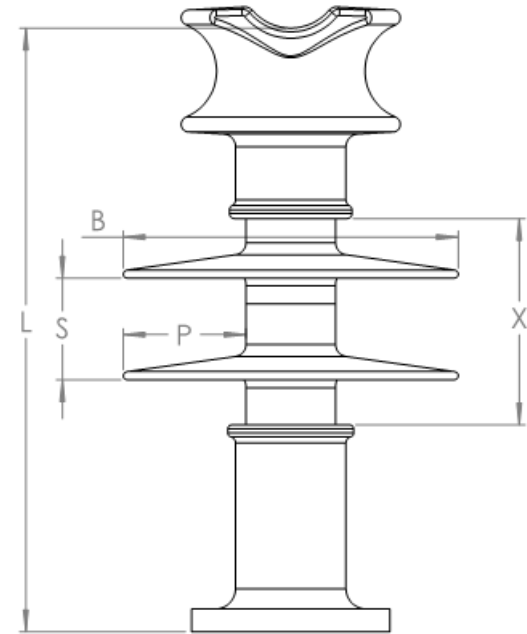
Electricals Values

60 Hz dry Flashover: 88 kV Min. Withstand 73 kV
 60 Hz Wet Flashover: 59 kV Min. Withstand 41 kV
 Positive CIFO: 136 kV Min. Withstand 108 kV
 Negative CIFO: 163 kV Min. Withstand 139 kV

Mechanical Values

Max. Design Cant. Load (MDCL): 1,350 lbs 6.01 kN
 Specified Cant. Load (SCL): 2,800 lbs 12.5 kN
 Specified Tensile Load (STL): 5,000 lbs 22.2 kN

This drawing contains confidential information that is the property of MacLean Power, L.L.C. ("MacLean"). Use of MacLean's confidential information without MacLean's express written consent is strictly prohibited and may expose you to legal liability. If you believe that you received this material in error, please destroy it or return it to "MacLean Power, L.L.C., 7801 Park Place Rd., York, South Carolina 29745, USA."



Dimension: inches [millimeters]

Insulator assembly complies with ANSI C.29.18 and CSA C411.6 Standards

NOTE: Drawing not actual depiction of insulator appearance