

MPS Catalog Number

Date 1/03/2023

Revision: H

Tower End Fitting:

Line End Fitting:

H0 40 U0 010 MX SS 005

46kV Universal Trunnion Head Composite Line Post

Insulator

End Fittings

3/4"-10 Round Base (Galv. Duct. Iron)

Universal Trunnion (Aluminum)

Conductor Range: 0.20" - 1.34" (6.35mm -34mm)

Recommended Torque: 60 lb*ft

Material

Number of Sheds:

5

Rod Diameter:

1-1/2"

Weight Estimate:

10.0 lbs

4.5 kg

Dimensional Values

Section Length (L):

18.5 in 470 mm

Rubber Length (X):

9.9 in 251 mm

Shed Height (P):

2.3 in 58 mm

Shed Diameter (B):

6.5 in 165 mm

Shed Spacing (S):

2.0 in 51 mm

Dry Arc Distance:

12.7 in 323 mm

Leakage Distance:

31.4 in 798 mm

Electricals Values

60 Hz dry Flashover:

159 kV

Min. Withstand

125 kV

60 Hz Wet Flashover:

117 kV

Min. Withstand

102 kV

Positive CIFO:

244 kV

Min. Withstand

205 kV

Negative CIFO:

277 kV

Min. Withstand

242 kV

Mechanical Values

Max. Design Cant. Load (MDCL):

1,350 lbs 6.0 kN

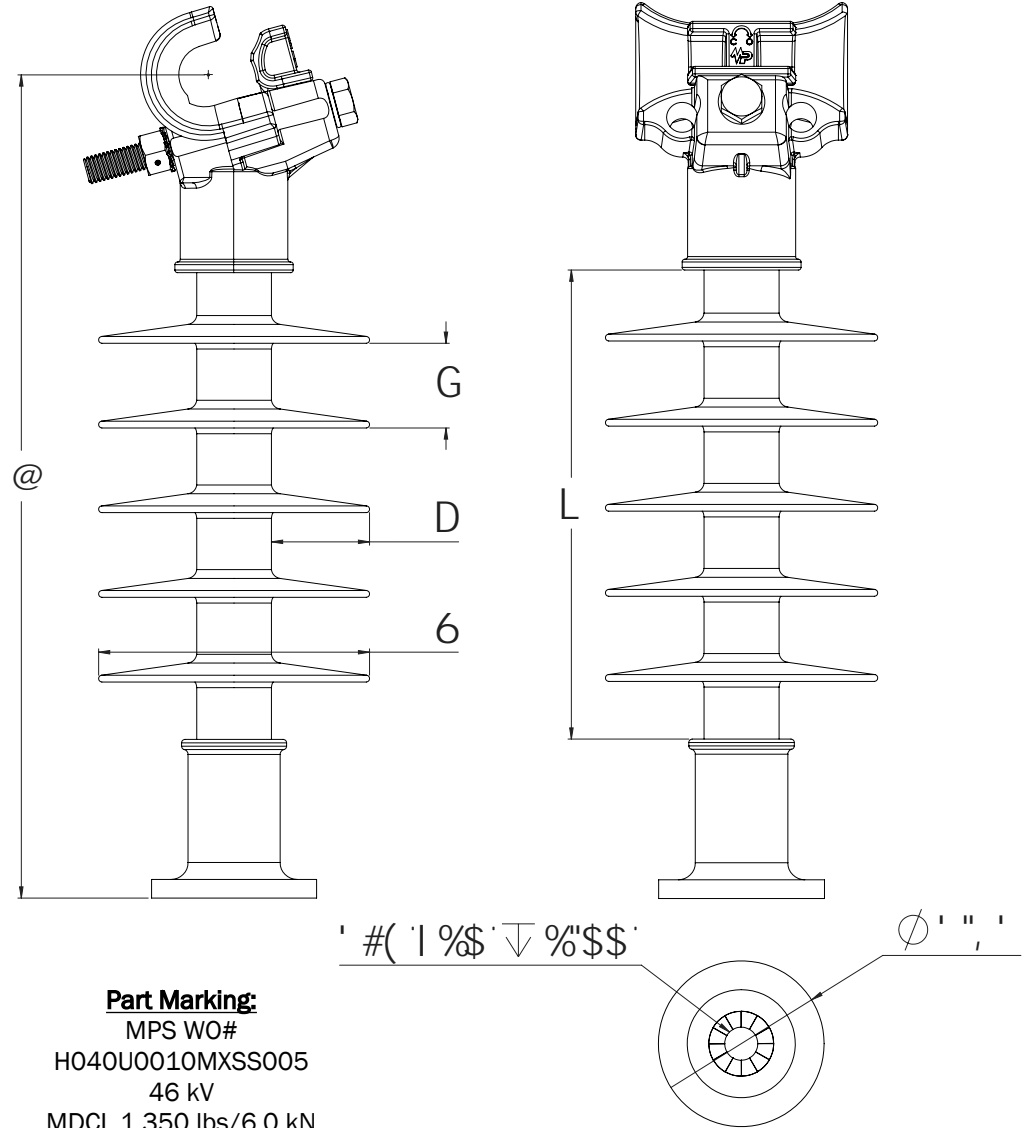
Specified Cant. Load (SCL):

2,800 lbs 12.5 kN

Specified Tensile Load (STL):

5,000 lbs 22.2 kN

This drawing contains confidential information that is the property of MacLean Power, L.L.C. ("MacLean"). Use of MacLean's confidential information without MacLean's express written consent is strictly prohibited and may expose you to legal liability. If you believe that you received this material in error, please destroy it or return it to "MacLean Power, L.L.C., 7801 Park Place Rd., York, South Carolina 29745, USA."



Dimension: inches [millimeters]

Insulator assembly complies with ANSI C.29.18 and CSA C411.6 Standards

NOTE: Drawing not actual depiction of insulator appearance