



MacLean Power Systems
 7801 Park Place Rd., York, SC 29745 USA
 (803) 628-2100

MPS Catalog Number

HO 40 UT 006 MX SS 003

Revision: B

Date 4/16/2026

End Fittings

Tower End Fitting: 3/4"-10 Round Base (Galv. Duct. Iron)
 Line End Fitting: Universal Trunnion (Aluminum)
 Tin Plated Aluminum
 Conductor Range: 0.20" - 1.34" (6.35mm -34mm)
 Recommended Torque: 60 lb*ft

Material

Number of Sheds: 3
 Rod Diameter: 1-1/2"
 Weight Estimate: 8.6 lbs 3.9 kg

Dimensional Values

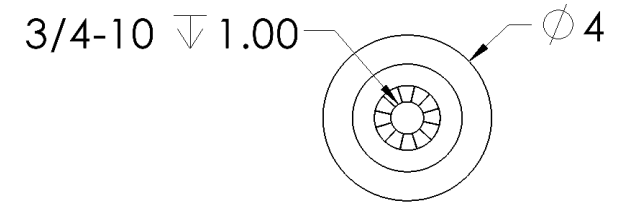
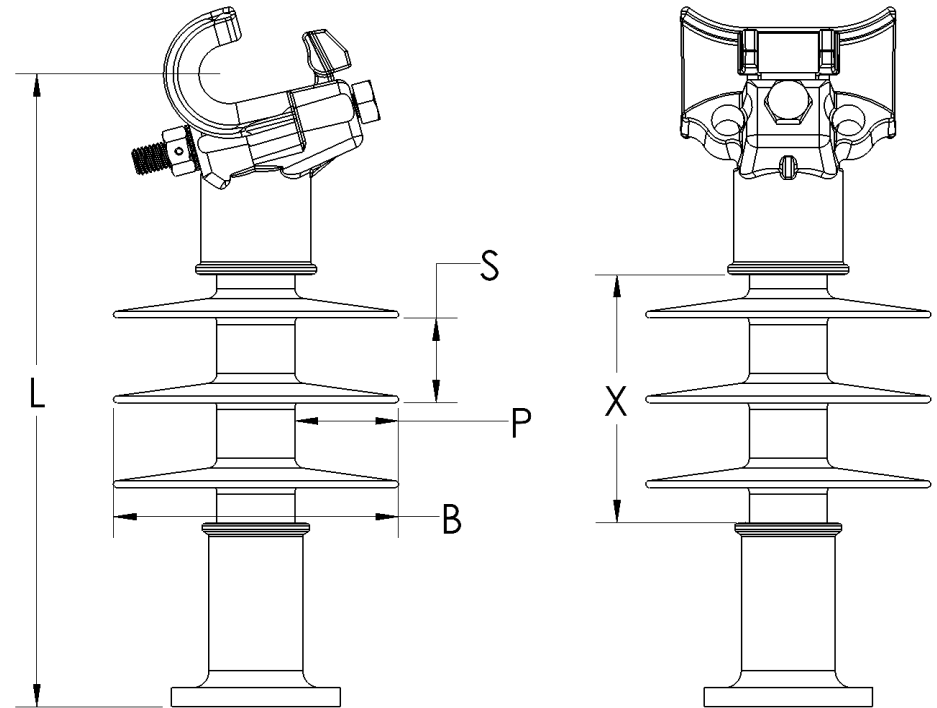
Section Length (L): 14.6 in 371 mm
 Rubber Length (X): 5.9 in 150 mm
 Shed Height (P): 2.3 in 58 mm
 Shed Diameter (B): 6.5 in 165 mm
 Shed Spacing (S): 2.0 in 51 mm
 Dry Arc Distance: 8.2 in 208 mm
 Leakage Distance: 18.3 in 465 mm

Electricals Values

60 Hz dry Flashover:	112 kV	Min. Withstand	91 kV
60 Hz Wet Flashover:	84 kV	Min. Withstand	55 kV
Positive CIFO:	170 kV	Min. Withstand	138 kV
Negative CIFO:	209 kV	Min. Withstand	169 kV

Mechanical Values

Max. Design Cant. Load (MDCL):	1,350 lbs	6. kN
Specified Cant. Load (SCL):	2,800 lbs	12.5 kN
Specified Tensile Load (STL):	5,000 lbs	22.2 kN



Part Marking:

WO #
 HO 40 UT 006 MX SS 003
 28kV
 MDCL 1,350 lbs / 6.0 Kn

This drawing contains confidential information that is the property of MacLean Power, L.L.C. ("MacLean"). Use of MacLean's confidential information without MacLean's express written consent is strictly prohibited and may expose you to legal liability. If you believe that you received this material in error, please destroy it or return it to "MacLean Power, L.L.C., 7801 Park Place Rd., York, South Carolina 29745, USA."

Dimension: inches [millimeters]
 NOTE: Drawing not actual depiction of insulator appearance

Insulator assembly complies with ANSI C.29.18 and CSA C411.6 standards