



MacLean Power Systems
7801 Park Place Rd., York, SC 29745
USA (803) 628-2100

MPS Catalog Number

H0 90 20 004 MX SS 002

Revision: A

Date 3/31/2023

End Fittings

Tower End Fitting:

Single Piece Aluminum Gain Base

Line End Fitting:

Trunnion

Material

Number of Sheds:

2

Rod Diameter:

1-1/2"

Weight Estimate:

7.1 lbs

3.2 kg

Dimensional Values

Section Length (L):

13.7 in 348 mm

Rubber Length (X):

4.0 in 102 mm

Shed Height (P):

2.4 in 61 mm

Shed Diameter (B):

6.5 in 165 mm

Shed Spacing (S):

2.0 in 50 mm

Dry Arc Distance:

6.3 in 159 mm

Leakage Distance:

12.2 in 310 mm

Electricals Values

60 Hz dry Flashover:

88 kV

Min. Withstand

73 kV

60 Hz Wet Flashover:

59 kV

Min. Withstand

41 kV

Positive CIFO:

136 kV

Min. Withstand

108 kV

Negative CIFO:

163 kV

Min. Withstand

139 kV

Mechanical Values

Max. Design Cant. Load (MDCL):

1,350 lbs 6.0 kN

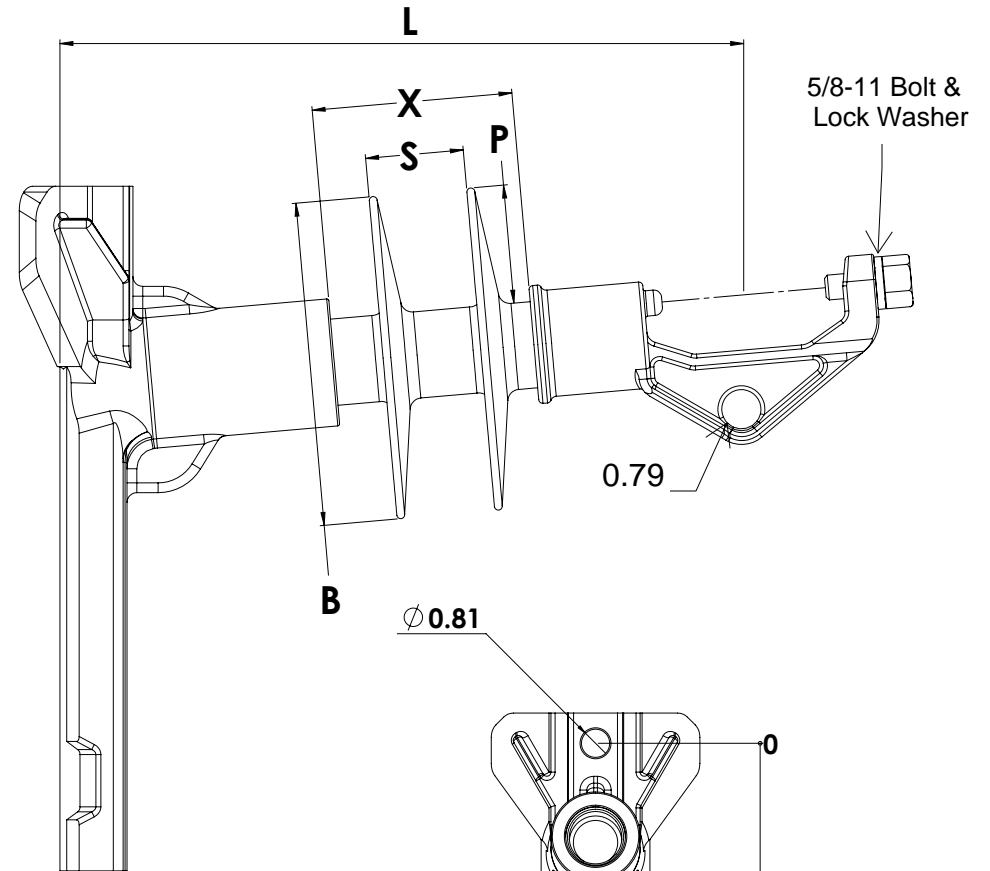
Specified Cant. Load (SCL):

2,800 lbs 12.5 kN

Specified Tensile Load (STL):

5,000 lbs 22.2 kN

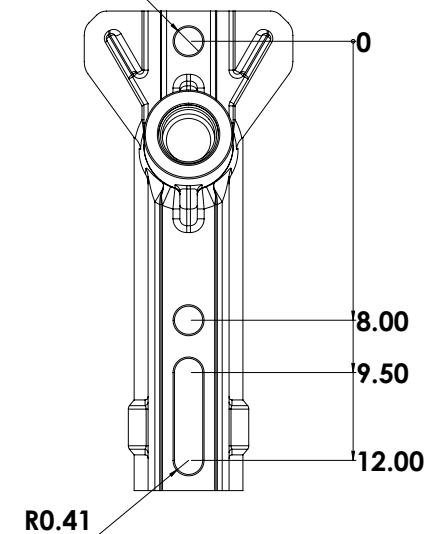
This drawing contains confidential information that is the property of MacLean Power, L.L.C. ("MacLean"). Use of MacLean's confidential information without MacLean's express written consent is strictly prohibited and may expose you to legal liability. If you believe that you received this material in error, please destroy it or return it to "MacLean Power, L.L.C., 7801 Park Place Rd., York, South Carolina 29745, USA."



Part Marking:
MPS WO#
H09020004MXSS002
15kV
MDCL 1,350 lbs/6.0 kN

Dimension: inches [millimeters]

NOTE: Drawing not actual depiction of insulator appearance



Insulator assembly complies with ANSI C.29.18 and CSA C411.6 Standards