



MacLeanTM
POWER SYSTEMS

MacLean Power Systems
7801 Park Place Rd., York, SC 29745
USA (803) 628-2100

MPS Catalog Number

H0 90 60 008 MX SS 004

Revision: A

Date 3/31/2023

End Fittings

Tower End Fitting:

Single Piece Aluminum Gain Base

Line End Fitting:

Vertical Trunnion

Material

Number of Sheds: 4

Rod Diameter: 1-1/2"

Weight Estimate: 8.6 lbs 3.9 kg

Dimensional Values

Section Length (L):	18.2 in	461 mm
Rubber Length (X):	7.9 in	201 mm
Shed Height (P):	2.4 in	61 mm
Shed Diameter (B):	6.5 in	165 mm
Shed Spacing (S):	2.0 in	50 mm
Dry Arc Distance:	10.3 in	262 mm
Leakage Distance:	24.4 in	620 mm

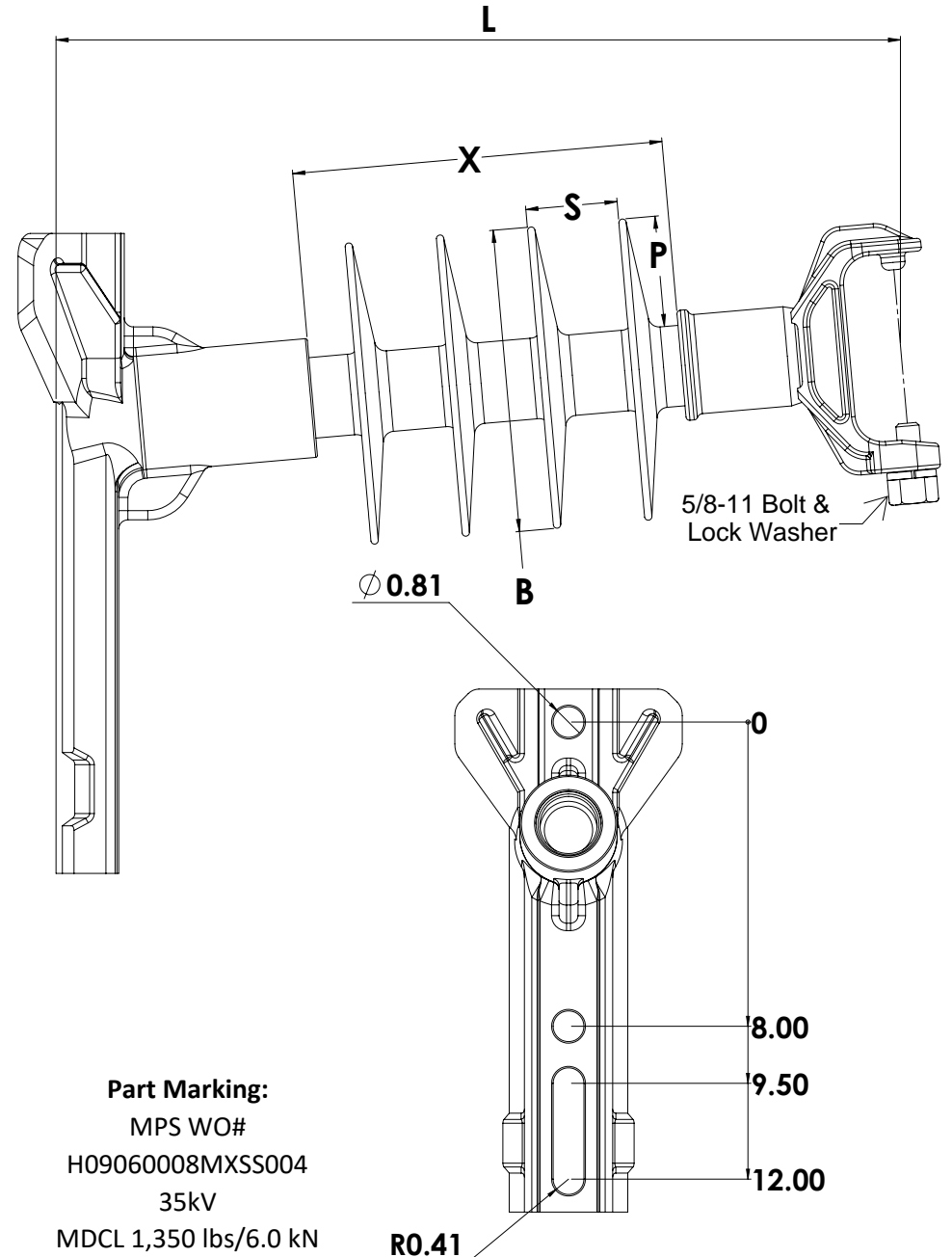
Electricals Values

60 Hz dry Flashover:	135 kV	Min. Withstand	107 kV
60 Hz Wet Flashover:	96 kV	Min. Withstand	69 kV
Positive CIFO:	198 kV	Min. Withstand	166 kV
Negative CIFO:	228 kV	Min. Withstand	197 kV

Mechanical Values

Max. Design Cant. Load (MDCL):	1,350 lbs	6.0 kN
Specified Cant. Load (SCL):	2,800 lbs	12.5 kN
Specified Tensile Load (STL):	5,000 lbs	22.2 kN

This drawing contains confidential information that is the property of MacLean Power, L.L.C. ("MacLean"). Use of MacLean's confidential information without MacLean's express written consent is strictly prohibited and may expose you to legal liability. If you believe that you received this material in error, please destroy it or return it to "MacLean Power, L.L.C., 7801 Park Place Rd., York, South Carolina 29745, USA."



Dimension: inches [millimeters]

NOTE: Drawing not actual depiction of insulator appearance

Insulator assembly complies with ANSI C.29.18 and CSA

C411.6 Standards