



MacLean Power Systems  
 7801 Park Place Rd., York, SC 29745  
 USA (803) 628-2100

MPS Catalog Number

**H0 90 70 004 MX SS 002**

Revision: A

Date 3/31/2023

**End Fittings**

Tower End Fitting:

Single Piece Aluminum Gain Base

Line End Fitting:

F-Neck (Aluminum)

**Material**

Number of Sheds:

2

Rod Diameter:

1-1/2"

Weight Estimate:

7.7 lbs

3.5 kg

**Dimensional Values**

Section Length (L):

13.2 in 335 mm

Rubber Length (X):

4.0 in 102 mm

Shed Height (P):

2.4 in 61 mm

Shed Diameter (B):

6.5 in 165 mm

Shed Spacing (S):

2.0 in 50 mm

Dry Arc Distance:

6.3 in 159 mm

Leakage Distance:

12.2 in 310 mm

**Electricals Values**

60 Hz dry Flashover:

88 kV

Min. Withstand

73 kV

60 Hz Wet Flashover:

59 kV

Min. Withstand

41 kV

Positive CIFO:

136 kV

Min. Withstand

108 kV

Negative CIFO:

163 kV

Min. Withstand

139 kV

**Mechanical Values**

Max. Design Cant. Load (MDCL):

1,350 lbs 6.0 kN

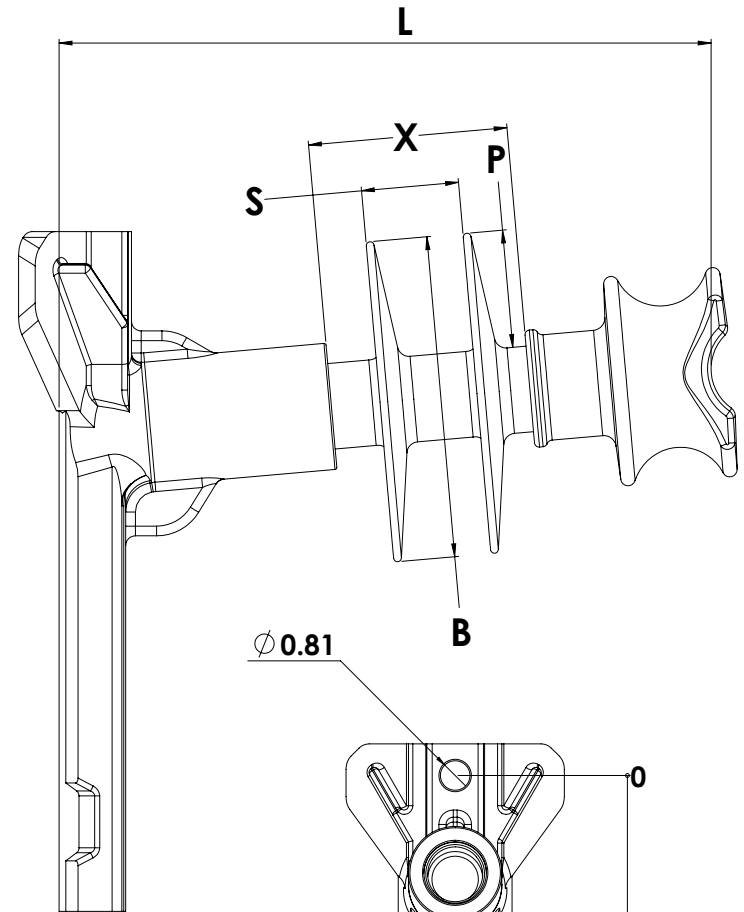
Specified Cant. Load (SCL):

2,800 lbs 12.5 kN

Specified Tensile Load (STL):

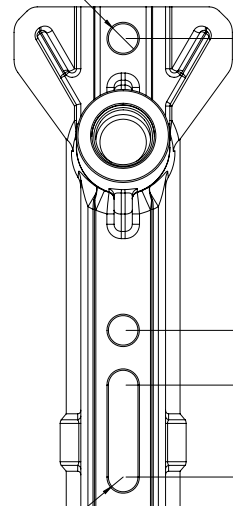
5,000 lbs 22.2 kN

This drawing contains confidential information that is the property of MacLean Power, L.L.C. ("MacLean"). Use of MacLean's confidential information without MacLean's express written consent is strictly prohibited and may expose you to legal liability. If you believe that you received this material in error, please destroy it or return it to "MacLean Power, L.L.C., 7801 Park Place Rd., York, South Carolina 29745, USA."



Ø 0.81

B



8.00

9.50

12.00

**Part Marking:**  
 MPS WO#  
 H09070004MXSS002  
 15kV  
 MDCL 1,350 lbs/6.0 kN

**R0.41**

Dimension: inches [millimeters]

Insulator assembly complies with ANSI C.29.18 and CSA C411.6 Standards

NOTE: Drawing not actual depiction of insulator appearance