

MPS Catalog Number

**H0 90 70 010 MX SS 005**

Revision: A

Date 3/31/2023

**End Fittings**

Tower End Fitting:

Single Piece Aluminum Gain Base

Line End Fitting:

F-Neck (Aluminum)

**Material**

Number of Sheds:

5

Rod Diameter:

1-1/2"

Weight Estimate:

9.7 lbs

4.4 kg

**Dimensional Values**

Section Length (L):

19.1 in 485 mm

Rubber Length (X):

10.1 in 257 mm

Shed Height (P):

2.4 in 61 mm

Shed Diameter (B):

6.5 in 165 mm

Shed Spacing (S):

2.0 in 50 mm

Dry Arc Distance:

12.4 in 315 mm

Leakage Distance:

31.4 in 798 mm

**Electricals Values**

60 Hz dry Flashover:

159 kV

Min. Withstand

125 kV

60 Hz Wet Flashover:

117 kV

Min. Withstand

102 kV

Positive CIFO:

244 kV

Min. Withstand

205 kV

Negative CIFO:

277 kV

Min. Withstand

242 kV

**Mechanical Values**

Max. Design Cant. Load (MDCL):

1,350 lbs 6.0 kN

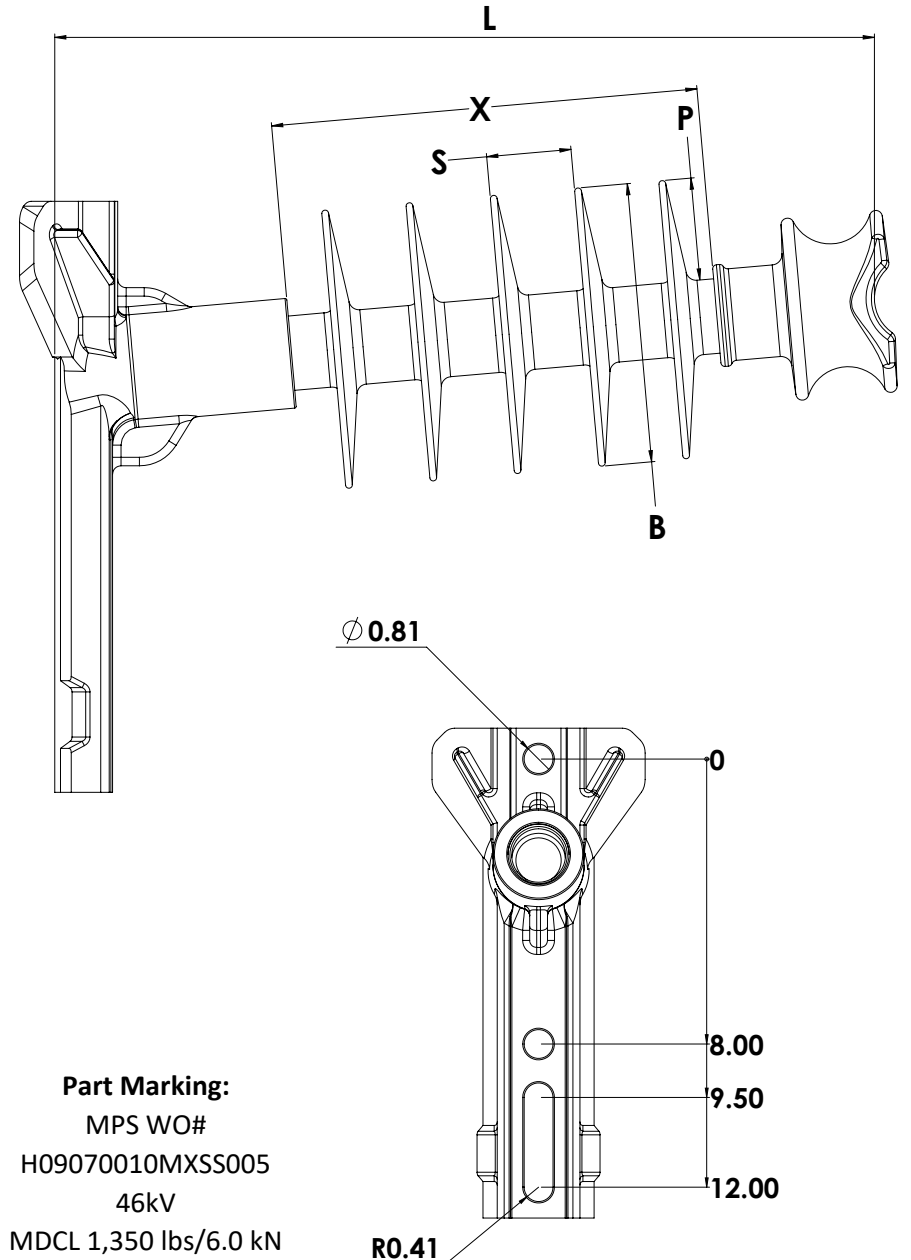
Specified Cant. Load (SCL):

2,800 lbs 12.5 kN

Specified Tensile Load (STL):

5,000 lbs 22.2 kN

This drawing contains confidential information that is the property of MacLean Power, L.L.C. ("MacLean"). Use of MacLean's confidential information without MacLean's express written consent is strictly prohibited and may expose you to legal liability. If you believe that you received this material in error, please destroy it or return it to "MacLean Power, L.L.C., 7801 Park Place Rd., York, South Carolina 29745, USA."



**Part Marking:**  
MPS WO#  
H09070010MXSS005  
46kV  
MDCL 1,350 lbs/6.0 kN

Dimension: inches [millimeters]

NOTE: Drawing not actual depiction of insulator appearance

Insulator assembly complies with ANSI C.29.18 and CSA C411.6 Standards