

MPS Catalog Number

**H0 90 U0 004 MX SS 002**

Revision: A

Date 3/31/2023

**End Fittings**

Tower End Fitting:

Single Piece Aluminum Gain Base

Line End Fitting:

Universal Trunnion (Aluminum)

Conductor Range 0.20" - 1.34" (6.35mm 34mm)

Recommended Torque: 60 lb\*ft

**Material**

Number of Sheds:

2

Rod Diameter:

1-1/2"

Weight Estimate:

8.8 lbs

4.0 kg

**Dimensional Values**

Section Length (L):	14.2 in	361 mm
Rubber Length (X):	4.0 in	102 mm
Shed Height (P):	2.4 in	61 mm
Shed Diameter (B):	6.5 in	165 mm
Shed Spacing (S):	2.0 in	50 mm
Dry Arc Distance:	6.3 in	159 mm
Leakage Distance:	12.2 in	310 mm

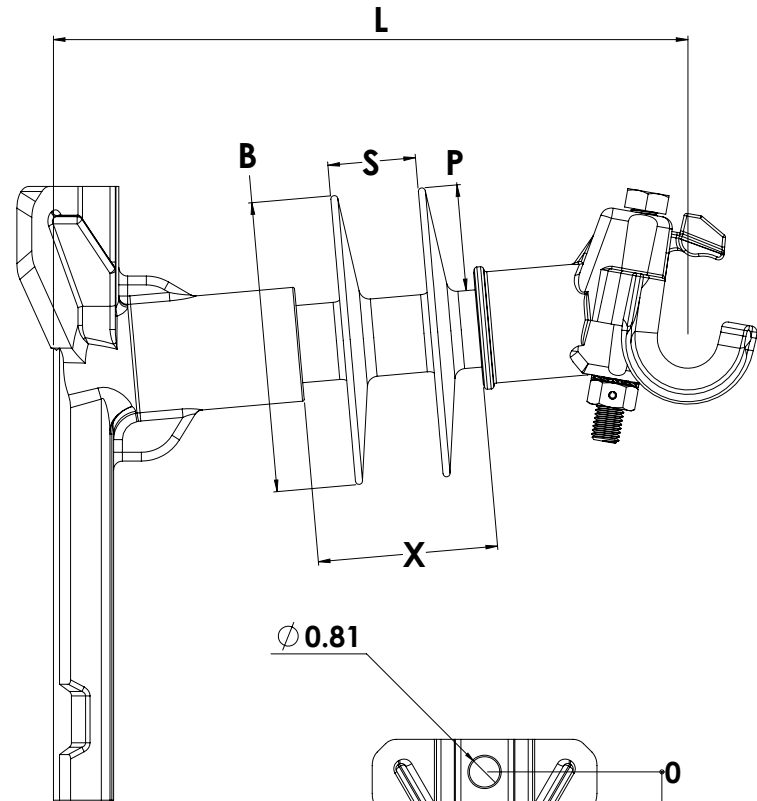
**Electricals Values**

60 Hz dry Flashover:	88 kV	Min. Withstand	73 kV
60 Hz Wet Flashover:	59 kV	Min. Withstand	41 kV
Positive CIFO:	136 kV	Min. Withstand	108 kV
Negative CIFO:	163 kV	Min. Withstand	139 kV

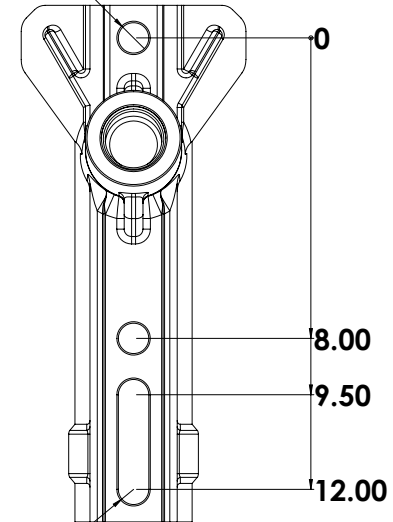
**Mechanical Values**

Max. Design Cant. Load (MDCL):	1,350 lbs	6.0 kN
Specified Cant. Load (SCL):	2,800 lbs	12.5 kN
Specified Tensile Load (STL):	5,000 lbs	22.2 kN

This drawing contains confidential information that is the property of MacLean Power, L.L.C. ("MacLean"). Use of MacLean's confidential information without MacLean's express written consent is strictly prohibited and may expose you to legal liability. If you believe that you received this material in error, please destroy it or return it to "MacLean Power, L.L.C., 7801 Park Place Rd., York, South Carolina 29745, USA."



Ø 0.81



**Part Marking:**  
 MPS WO#  
 H090U0004MXSS002  
 15kV  
 MDCL 1,350 lbs/6.0 kN

**R0.41**

Dimension: inches [millimeters]

Insulator assembly complies with ANSI C.29.18 and CSA C411.6 Standards

NOTE: Drawing not actual depiction of insulator appearance