

MPS Catalog Number

H0 90 U0 006 MX SS 003

Revision: A

Date 3/31/2023

End Fittings

Tower End Fitting:

Single Piece Aluminum Gain Base

Line End Fitting:

Universal Trunnion (Aluminum)

Conductor Range 0.20" - 1.34" (6.35mm 34mm)

Recommended Torque: 60 lb*ft

Material

Number of Sheds:

3

Rod Diameter:

1-1/2"

Weight Estimate:

9.4 lbs

4.3 kg

Dimensional Values

Section Length (L):	16.1 in	409 mm
Rubber Length (X):	6.0 in	152 mm
Shed Height (P):	2.4 in	61 mm
Shed Diameter (B):	6.5 in	165 mm
Shed Spacing (S):	2.0 in	50 mm
Dry Arc Distance:	8.3 in	211 mm
Leakage Distance:	18.3 in	465 mm

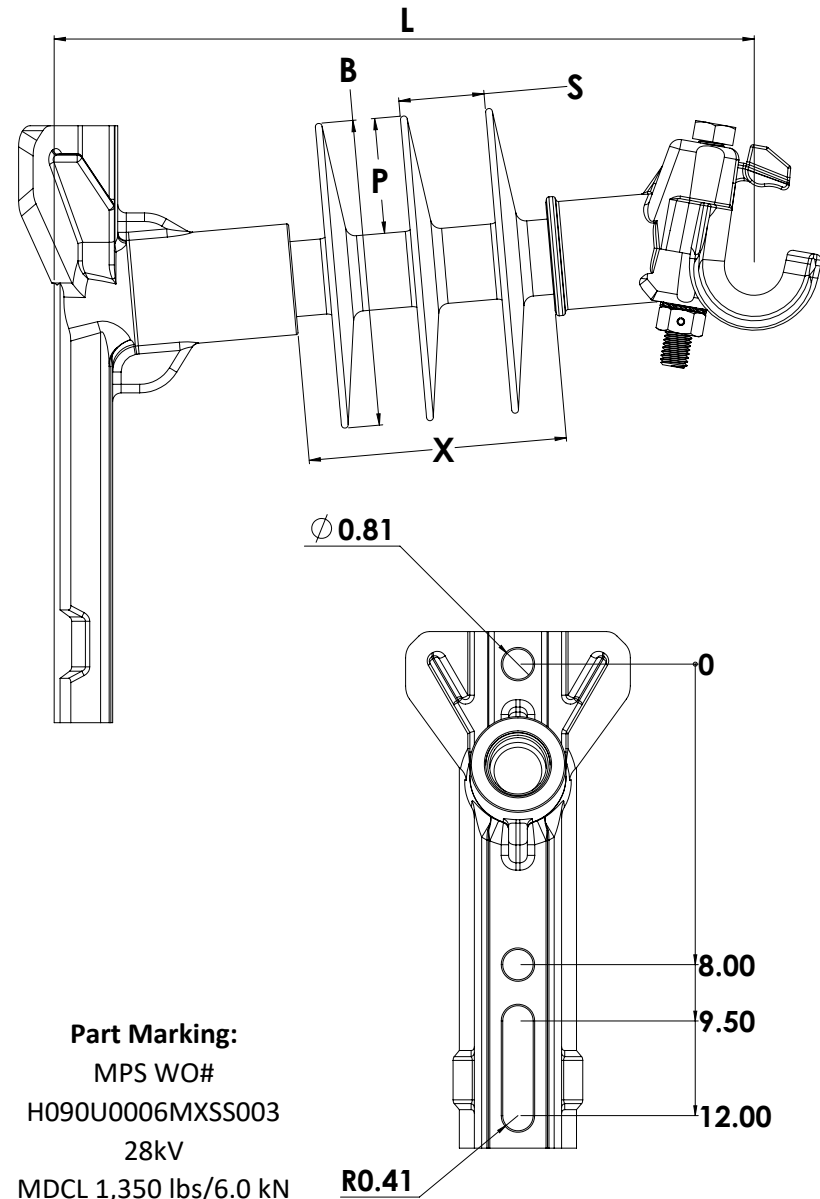
Electricals Values

60 Hz dry Flashover:	112 kV	Min. Withstand	91 kV
60 Hz Wet Flashover:	84 kV	Min. Withstand	55 kV
Positive CIFO:	170 kV	Min. Withstand	138 kV
Negative CIFO:	209 kV	Min. Withstand	169 kV

Mechanical Values

Max. Design Cant. Load (MDCL):	1,350 lbs	6.0 kN
Specified Cant. Load (SCL):	2,800 lbs	12.5 kN
Specified Tensile Load (STL):	5,000 lbs	22.2 kN

This drawing contains confidential information that is the property of MacLean Power, L.L.C. ("MacLean"). Use of MacLean's confidential information without MacLean's express written consent is strictly prohibited and may expose you to legal liability. If you believe that you received this material in error, please destroy it or return it to "MacLean Power, L.L.C., 7801 Park Place Rd., York, South Carolina 29745, USA."



Part Marking:
 MPS WO#
 H090U0006MXSS003
 28kV
 MDCL 1,350 lbs/6.0 kN

Dimension: inches [millimeters]

NOTE: Drawing not actual depiction of insulator appearance

Insulator assembly complies with ANSI C.29.18 and CSA C411.6 Standards