

MPS Catalog Number

**H0 90 U0 008 MX SS 004**

Revision: A

Date 3/31/2023

**End Fittings**

Tower End Fitting:

Single Piece Aluminum Gain Base

Line End Fitting:

Universal Trunnion (Aluminum)

Conductor Range 0.20" - 1.34" (6.35mm 34mm)

Recommended Torque: 60 lb\*ft

**Material**

Number of Sheds:

4

Rod Diameter:

1-1/2"

Weight Estimate:

10.1 lbs

4.6 kg

**Dimensional Values**

Section Length (L):	17.1 in	433 mm
Rubber Length (X):	7.9 in	201 mm
Shed Height (P):	2.4 in	61 mm
Shed Diameter (B):	6.5 in	165 mm
Shed Spacing (S):	2.0 in	50 mm
Dry Arc Distance:	10.3 in	262 mm
Leakage Distance:	24.4 in	620 mm

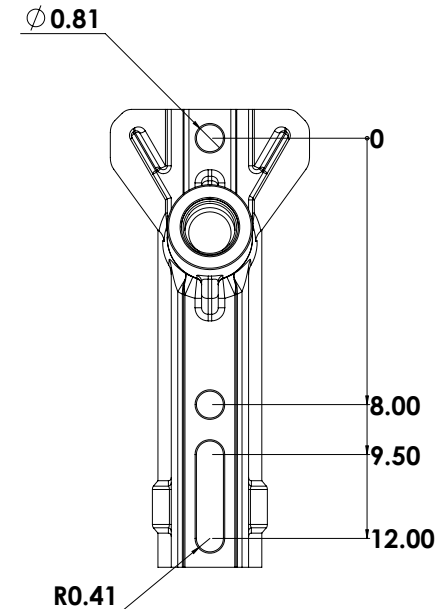
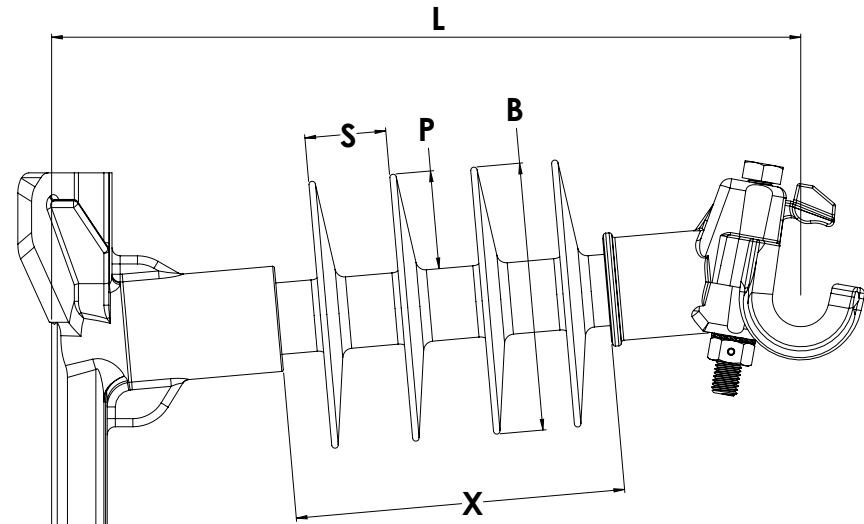
**Electricals Values**

60 Hz dry Flashover:	135 kV	Min. Withstand	107 kV
60 Hz Wet Flashover:	96 kV	Min. Withstand	69 kV
Positive CIFO:	198 kV	Min. Withstand	166 kV
Negative CIFO:	228 kV	Min. Withstand	197 kV

**Mechanical Values**

Max. Design Cant. Load (MDCL):	1,350 lbs	6.0 kN
Specified Cant. Load (SCL):	2,800 lbs	12.5 kN
Specified Tensile Load (STL):	5,000 lbs	22.2 kN

This drawing contains confidential information that is the property of MacLean Power, L.L.C. ("MacLean"). Use of MacLean's confidential information without MacLean's express written consent is strictly prohibited and may expose you to legal liability. If you believe that you received this material in error, please destroy it or return it to "MacLean Power, L.L.C., 7801 Park Place Rd., York, South Carolina 29745, USA."



**Part Marking:**  
 MPS WO#  
 H090U0008MXSS004  
 35kV  
 MDCL 1,350 lbs/6.0 kN

Dimension: inches [millimeters]

NOTE: Drawing not actual depiction of insulator appearance

Insulator assembly complies with ANSI C.29.18 and CSA C411.6 Standards