

MPS Catalog Number

H0 90 U0 010 MX SS 005

Revision: A

Date 3/31/2023

End Fittings

Tower End Fitting:

Single Piece Aluminum Gain Base

Line End Fitting:

Universal Trunnion (Aluminum)

Conductor Range 0.20" - 1.34" (6.35mm 34mm)

Recommended Torque: 60 lb*ft

Material

Number of Sheds:

5

Rod Diameter:

1-1/2"

Weight Estimate:

10.7 lbs

4.9 kg

Dimensional Values

Section Length (L):	19.3 in	489 mm
Rubber Length (X):	10.1 in	257 mm
Shed Height (P):	2.4 in	61 mm
Shed Diameter (B):	6.5 in	165 mm
Shed Spacing (S):	2.0 in	50 mm
Dry Arc Distance:	12.4 in	315 mm
Leakage Distance:	31.4 in	798 mm

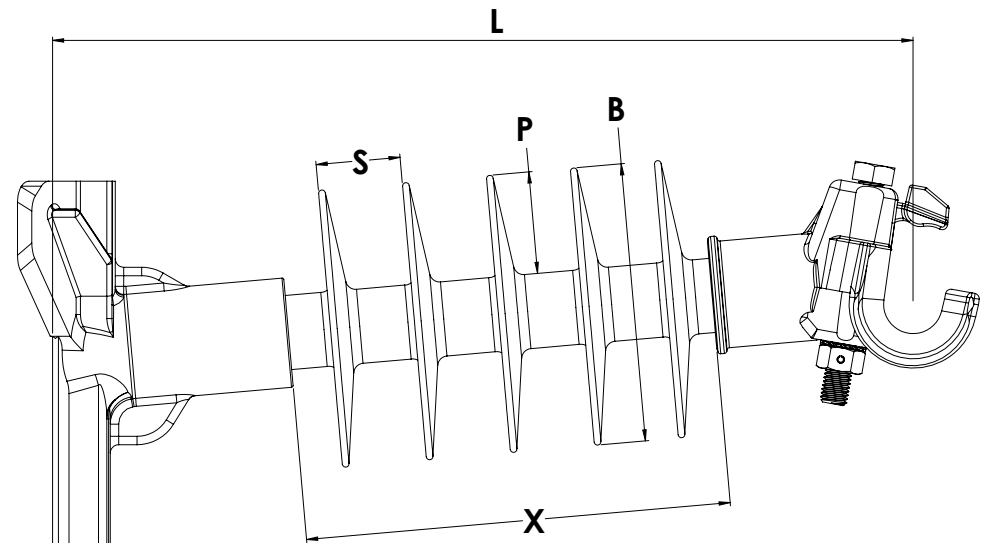
Electricals Values

60 Hz dry Flashover:	159 kV	Min. Withstand	125 kV
60 Hz Wet Flashover:	117 kV	Min. Withstand	102 kV
Positive CIFO:	244 kV	Min. Withstand	205 kV
Negative CIFO:	277 kV	Min. Withstand	242 kV

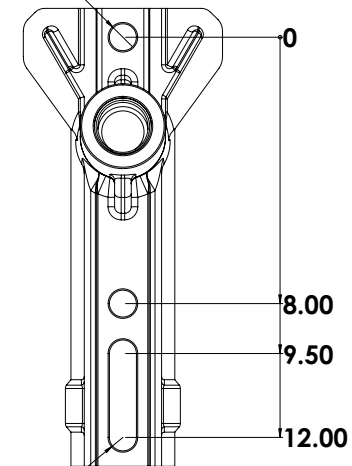
Mechanical Values

Max. Design Cant. Load (MDCL):	1,350 lbs	6.0 kN
Specified Cant. Load (SCL):	2,800 lbs	12.5 kN
Specified Tensile Load (STL):	5,000 lbs	22.2 kN

This drawing contains confidential information that is the property of MacLean Power, L.L.C. ("MacLean"). Use of MacLean's confidential information without MacLean's express written consent is strictly prohibited and may expose you to legal liability. If you believe that you received this material in error, please destroy it or return it to "MacLean Power, L.L.C., 7801 Park Place Rd., York, South Carolina 29745, USA."



Ø 0.81



R0.41

Part Marking:
 MPS WO#
 H090U0010MXSS005
 46kV
 MDCL 1,350 lbs/6.0 kN

Dimension: inches [millimeters]

Insulator assembly complies with ANSI C.29.18 and CSA C411.6 Standards

NOTE: Drawing not actual depiction of insulator appearance