

MPS Catalog Number:

Date:

H1 90 10 026 CX SS 015

05/20/2021

End Fittings

Tower End Fitting:

Gain / 12 deg / Steel

Line End Fitting:

Anchor / Ductile Iron
2 HL Drop Tongue / Ductile Iron

Material

Corona Ring (Tower):

None

Corona Ring (Line):

None

Corona Rings are recommended for applications of 230 kV and above

Mounting Angle:

12 deg

Number of Sheds:

15

Rod Diameter:

2 in

Weight Estimate:

51.1 lbs

23 kg

Dimensional Values

Section Length (L):

35.8 in 909 mm

Rubber Length (X):

26 in 660 mm

Shed spacing (S):

1.6 in 41 mm

Shed Projection (P):

2.7 in 68 mm

Dry Arc Distance:

29 in 737 mm

Leakage Distance:

101.9 in 2,588 mm

Electricals Values

60 Hz dry Flashover (Min. Withstand):

285 kV 268 kV

60 Hz Wet Flashover (Min. Withstand):

262 kV 203 kV

CIFO Positive (Min. Withstand):

487 kV 436 kV

CIFO Negative (Min. Withstand):

582 kV 471 kV

Mechanical Values

Max. Design Cant. Load (MDCL):

1,294 lbs 5.8 kN

Specified Cant. Load (SCL):

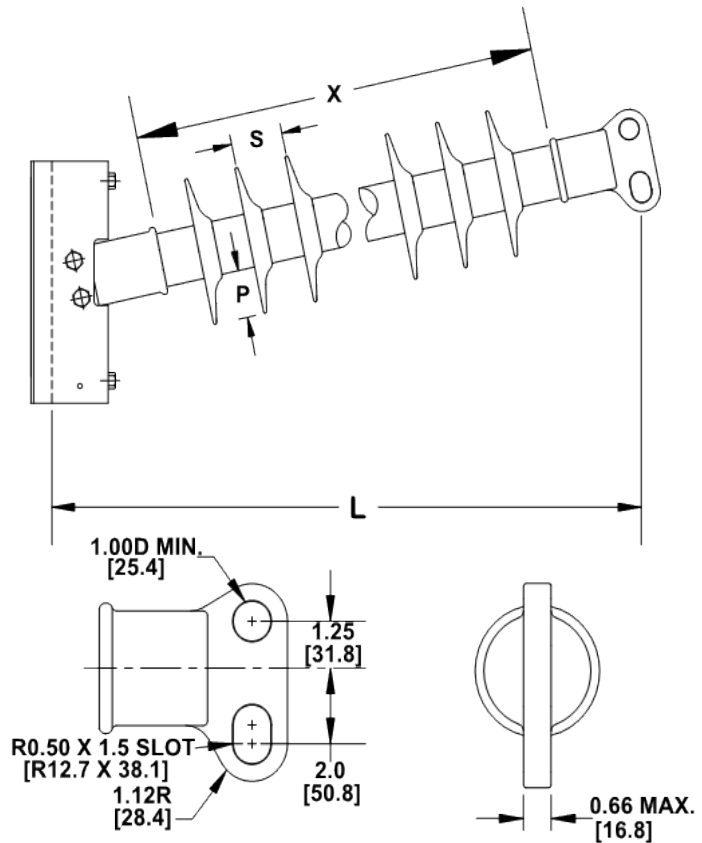
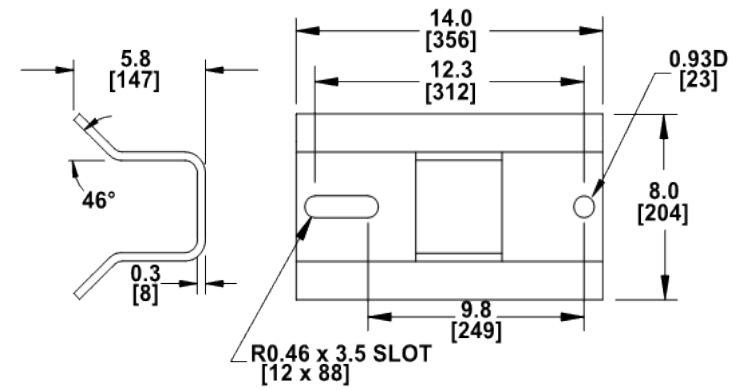
2,588 lbs 11.5 kN

Specified Tensile Load (STL):

7,000 lbs 31.1 kN

This drawing contains confidential information that is the property of MacLean Power, L.L.C. ("MacLean"). Use of MacLean's confidential information without MacLean's express written consent is strictly prohibited and may expose you to legal liability. If you believe that you received this material in error, please destroy it or return it to "MacLean Power, L.L.C., 7801 Park Place Rd., York, South Carolina 29745, USA."

Notes:



Dimension: inches [millimeters]

NOTE: Drawing not actual depiction of insulator appearance.

Silicone rubber sheath and sheds complies with applicable ANSI and IEC standards.

Prepared By: Laurel Wallace