

MPS Catalog Number:

Date:

H3 90 10 112 CB SS 068

05/20/2021

End Fittings

Tower End Fitting:

Gain/12"-14" Hole Spacing

Anchor / Galv. Ductile Iron

Line End Fitting:

2 HL Drop Tongue / Galv. Ductile Iron

Material

Corona Ring (Tower):

None

Corona Ring (Line):

12" Corona Ring

Corona Rings are recommended for applications of 230 kV and above

Mounting Angle:

17 deg

Number of Sheds:

68

Rod Diameter:

3 in

Weight Estimate:

188.4 lbs

85 kg

Dimensional Values

Section Length (L):

122.5 in 3,112 mm

Rubber Length (X):

112 in 2,845 mm

Shed spacing (S):

1.6 in 41 mm

Shed Projection (P):

2.7 in 68 mm

Dry Arc Distance:

112.4 in 2,855 mm

Leakage Distance:

443 in 11,252 mm

Electricals Values

60 Hz dry Flashover (Min. Withstand):

1000 kV 939 kV

60 Hz Wet Flashover (Min. Withstand):

859 kV 732 kV

CIFO Positive (Min. Withstand):

1758 kV 1544 kV

CIFO Negative (Min. Withstand):

1767 kV 1611 kV

Mechanical Values

Max. Design Cant. Load (MDCL):

1,189 lbs 5.3 kN

Specified Cant. Load (SCL):

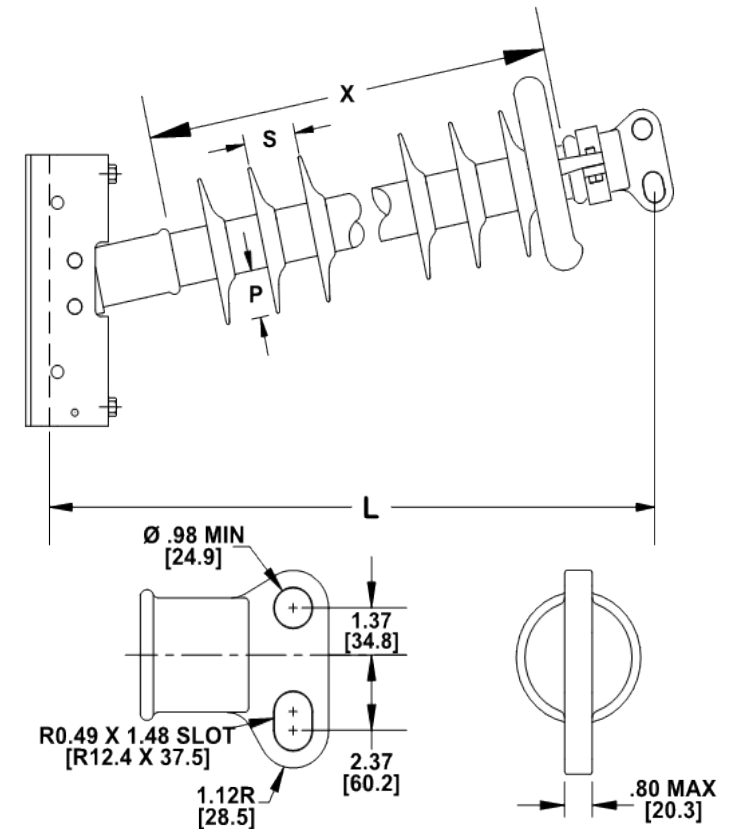
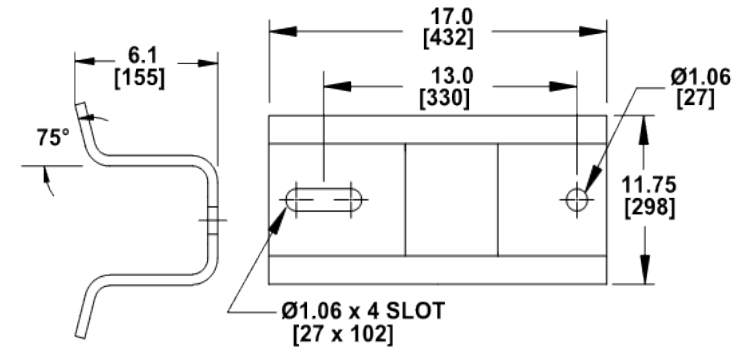
2,378 lbs 10.6 kN

Specified Tensile Load (STL):

20,000 lbs 89.0 kN

This drawing contains confidential information that is the property of MacLean Power, L.L.C. ("MacLean"). Use of MacLean's confidential information without MacLean's express written consent is strictly prohibited and may expose you to legal liability. If you believe that you received this material in error, please destroy it or return it to "MacLean Power, L.L.C., 7801 Park Place Rd., York, South Carolina 29745, USA."

Notes:



Dimension: inches [millimeters]

NOTE: Drawing not actual depiction of insulator appearance.

Silicone rubber sheath and sheds complies with applicable ANSI and IEC standards.

Prepared By: Laurel Wallace