



MacLean Power  
Systems  
7801 Park Place Rd., York, SC 29745  
USA (803) 628-2100

MPS Catalog Number

**H7 90 10 010 MX SS 005**

Revision: A

Date 5/9/2023

**End Fittings**

Tower End Fitting:

1 Piece Gain Base (Aluminum)

Line End Fitting:

Drop Tongue

**Material**

Number of Sheds:

5

Rod Diameter:

1-3/4"

Weight Estimate:

12.8 lbs

5.8 kg

**Dimensional Values**

Section Length (L):

18.9 in 480 mm

Rubber Length (X):

9.8 in 249 mm

Shed Height (P):

2.4 in 62 mm

Shed Diameter (B):

6.9 in 175 mm

Shed Spacing (S):

2.0 in 52 mm

Dry Arc Distance:

12.6 in 321 mm

Leakage Distance:

32.2 in 817 mm

**Electricals Values**

60 Hz dry Flashover:

163 kV

Min. Withstand

128 kV

60 Hz Wet Flashover:

117 kV

Min. Withstand

86 kV

Positive CIFO:

230 kV

Min. Withstand

200 kV

Negative CIFO:

299 kV

Min. Withstand

232 kV

**Mechanical Values**

Max. Design Cant. Load (MDCL):

1,350 lbs 6.0 kN

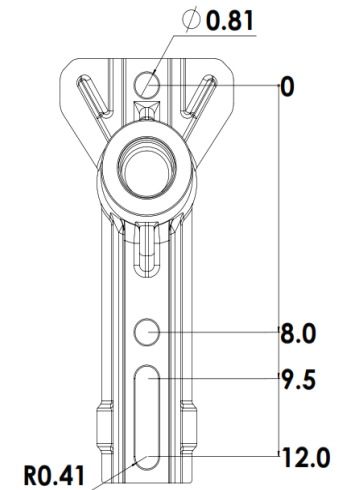
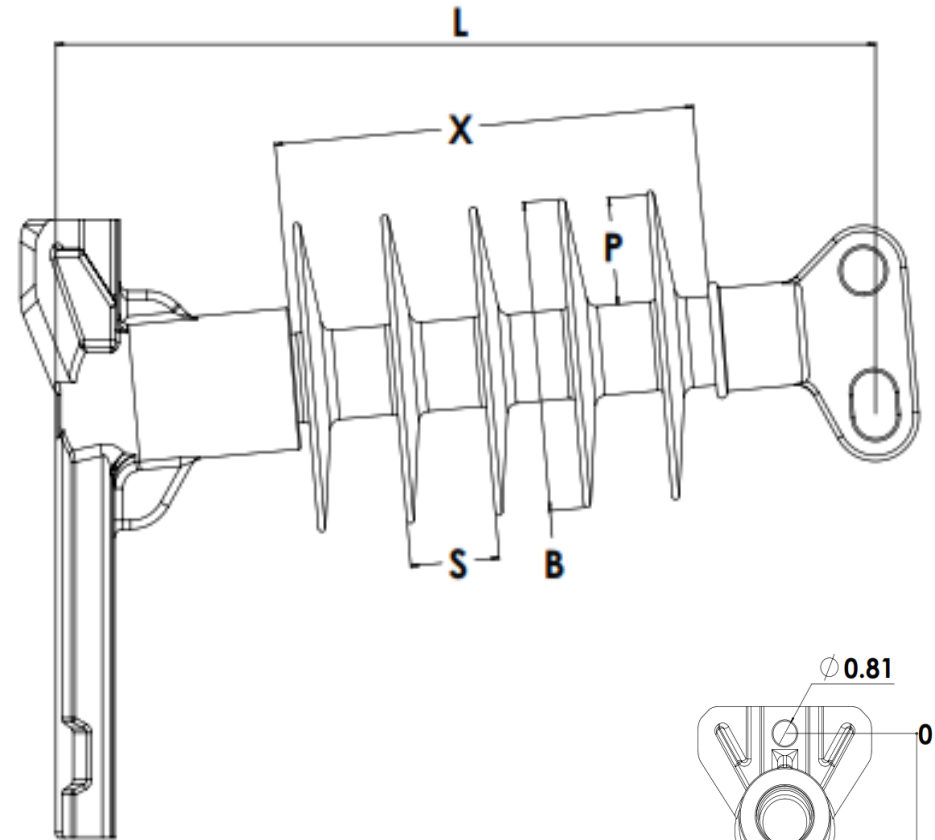
Specified Cant. Load (SCL):

2,800 lbs 12.5 kN

Specified Tensile Load (STL):

5,000 lbs 22.2 kN

This drawing contains confidential information that is the property of MacLean Power, L.L.C. ("MacLean"). Use of MacLean's confidential information without MacLean's express written consent is strictly prohibited and may expose you to legal liability. If you believe that you received this material in error, please destroy it or return it to "MacLean Power, L.L.C., 7801 Park Place Rd., York, South Carolina 29745, USA."



**Part Marking:**

MPS WO#

H79010010MXSS005

46kV

MDCL 1,350 lbs/6.0 kN

Dimension: inches [millimeters]

NOTE: Drawing not actual depiction of insulator appearance

Insulator assembly complies with ANSI C.29.18 and CSA  
C411.6 Standards