



MacLean Power
Systems
7801 Park Place Rd., York, SC 29745
USA (803) 628-2100

MPS Catalog Number **H7 90 10 012 MX SS 006**

Revision: A Date 5/9/2023

End Fittings

Tower End Fitting: 1 Piece Gain Base (Aluminum)

Line End Fitting: Drop Tongue

Material

Number of Sheds: 6

Rod Diameter: 1-3/4"

Weight Estimate: 14.0 lbs 6.4 kg

Dimensional Values

Section Length (L): 20.9 in 532 mm

Rubber Length (X): 11.8 in 300 mm

Shed Height (P): 2.4 in 62 mm

Shed Diameter (B): 6.9 in 175 mm

Shed Spacing (S): 2.0 in 52 mm

Dry Arc Distance: 14.7 in 373 mm

Leakage Distance: 38.5 in 978 mm

Electricals Values

60 Hz dry Flashover: 170 kV Min. Withstand 145 kV

60 Hz Wet Flashover: 135 kV Min. Withstand 101 kV

Positive CIFO: 262 kV Min. Withstand 230 kV

Negative CIFO: 337 kV Min. Withstand 262 kV

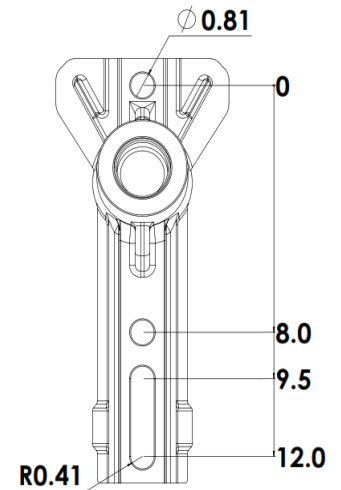
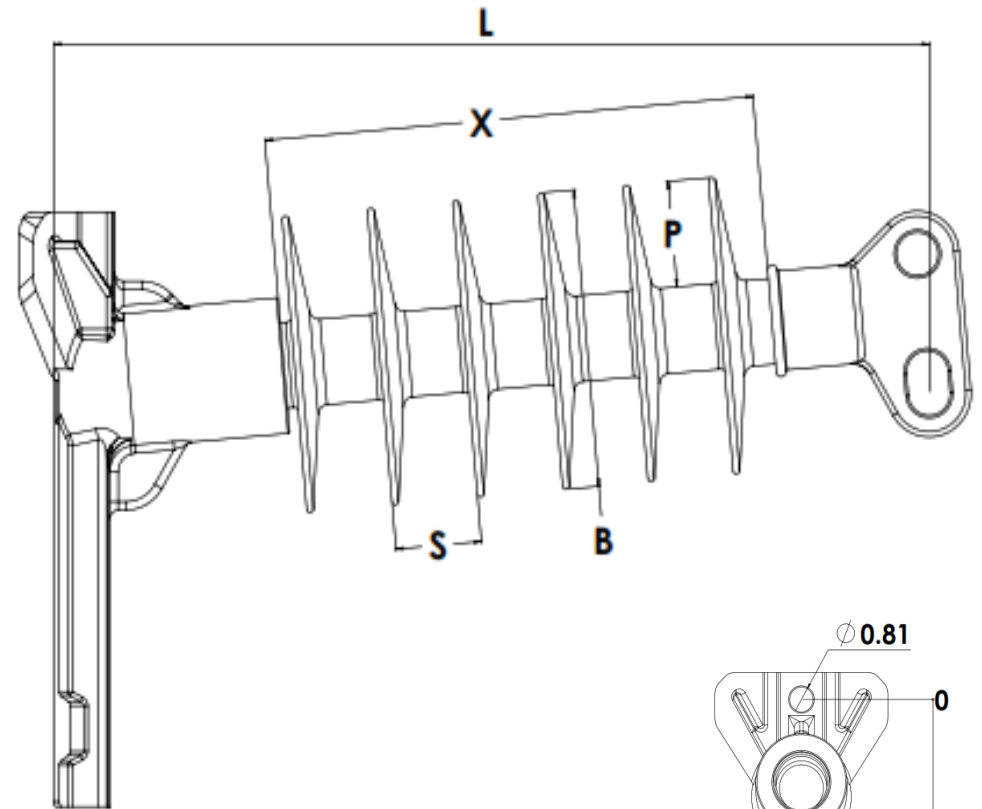
Mechanical Values

Max. Design Cant. Load (MDCL): 1,350 lbs 6.0 kN

Specified Cant. Load (SCL): 2,800 lbs 12.5 kN

Specified Tensile Load (STL): 5,000 lbs 22.2 kN

This drawing contains confidential information that is the property of MacLean Power, L.L.C. ("MacLean"). Use of MacLean's confidential information without MacLean's express written consent is strictly prohibited and may expose you to legal liability. If you believe that you received this material in error, please destroy it or return it to "MacLean Power, L.L.C., 7801 Park Place Rd., York, South Carolina 29745, USA."



Part Marking:

MPS WO#
H79010012MXSS006

MDCL 1,350 lbs/6.0 kN

Dimension: inches [millimeters]

NOTE: Drawing not actual depiction of insulator appearance

Insulator assembly complies with ANSI C.29.18 and CSA C411.6 Standards