



MacLean Power
Systems
7801 Park Place Rd., York, SC 29745
USA (803) 628-2100

MPS Catalog Number **H7 90 10 018 MX SS 009**
Revision: A Date 5/9/2023

End Fittings
Tower End Fitting: 1 Piece Gain Base (Aluminum)

Line End Fitting: Drop Tongue

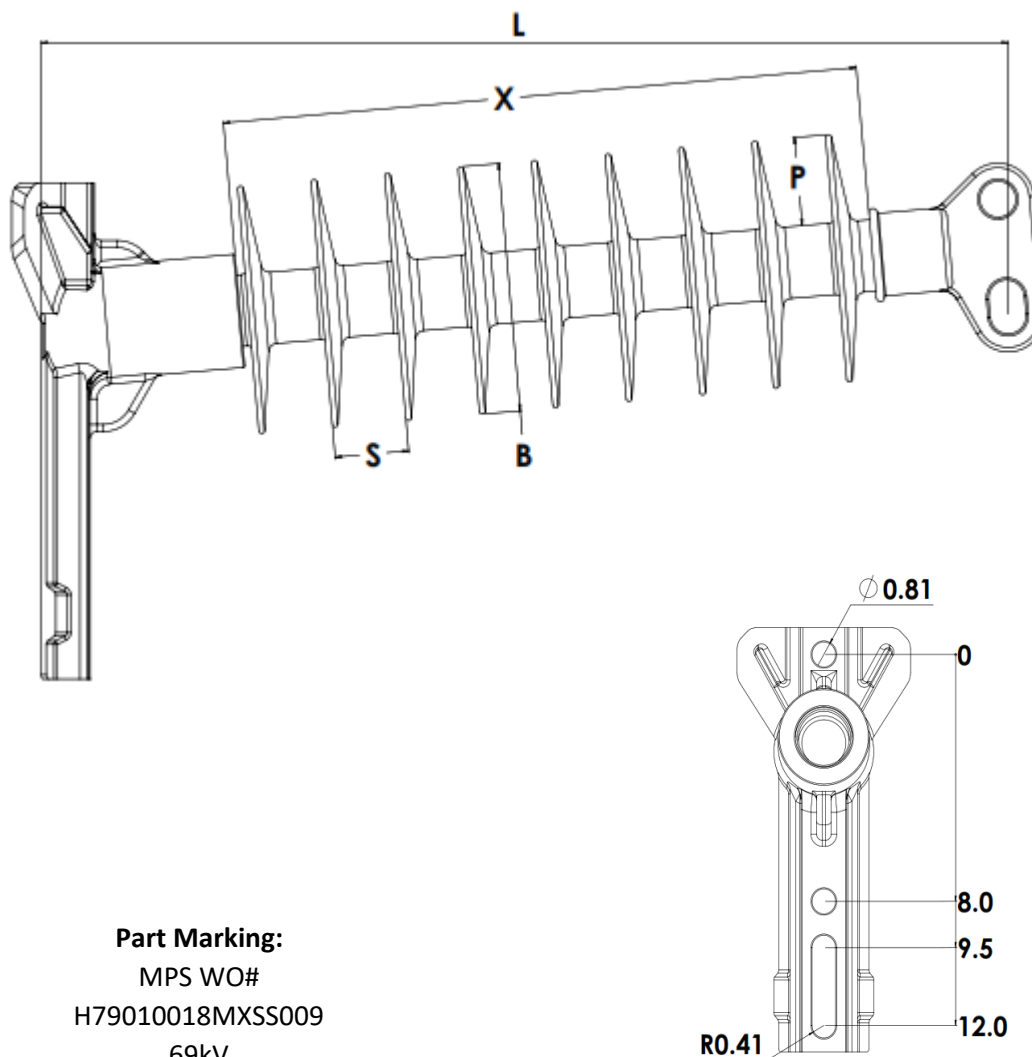
Material
Number of Sheds: 9
Rod Diameter: 1-3/4"
Weight Estimate: 17.6 lbs 8.0 kg

Dimensional Values
Section Length (L): 26.8 in 681 mm
Rubber Length (X): 18.0 in 456 mm
Shed Height (P): 2.4 in 62 mm
Shed Diameter (B): 6.9 in 175 mm
Shed Spacing (S): 2.0 in 52 mm
Dry Arc Distance: 20.8 in 529 mm
Leakage Distance: 58.2 in 1478 mm

Electricals Values
60 Hz dry Flashover: 232 kV Min. Withstand 198 kV
60 Hz Wet Flashover: 185 kV Min. Withstand 145 kV
Positive CIFO: 358 kV Min. Withstand 319 kV
Negative CIFO: 411 kV Min. Withstand 352 kV

Mechanical Values
Max. Design Cant. Load (MDCL): 1,350 lbs 6.0 kN
Specified Cant. Load (SCL): 2,800 lbs 12.5 kN
Specified Tensile Load (STL): 5,000 lbs 22.2 kN

This drawing contains confidential information that is the property of MacLean Power, L.L.C. ("MacLean"). Use of MacLean's confidential information without MacLean's express written consent is strictly prohibited and may expose you to legal liability. If you believe that you received this material in error, please destroy it or return it to "MacLean Power, L.L.C., 7801 Park Place Rd., York, South Carolina 29745, USA."



Part Marking:
MPS WO#
H79010018MXSS009
69kV
MDCL 1,350 lbs/6.0 kN

Dimension: inches [millimeters]

NOTE: Drawing not actual depiction of insulator appearance

Insulator assembly complies with ANSI C.29.18 and CSA
C411.6 Standards