



MacLean Power Systems  
7801 Park Place Rd., York, SC 29745  
USA (803) 628-2100

MPS Catalog Number

**H7 90 20 010 MX SS 005**

Revision: A

Date 4/4/2023

**End Fittings**

Tower End Fitting: 1 Piece Gain Base (Aluminum)

Line End Fitting: Trunnion

**Material**

Number of Sheds: 5  
Rod Diameter: 1-3/4"  
Weight Estimate: 13.0 lbs 5.9 kg

**Dimensional Values**

Section Length (L): 19.6 in 465 mm  
Rubber Length (X): 9.8 in 249 mm  
Shed Height (P): 2.4 in 62 mm  
Shed Diameter (B): 6.9 in 175 mm  
Shed Spacing (S): 2.0 in 52 mm  
Dry Arc Distance: 12.6 in 321 mm  
Leakage Distance: 32.2 in 817 mm

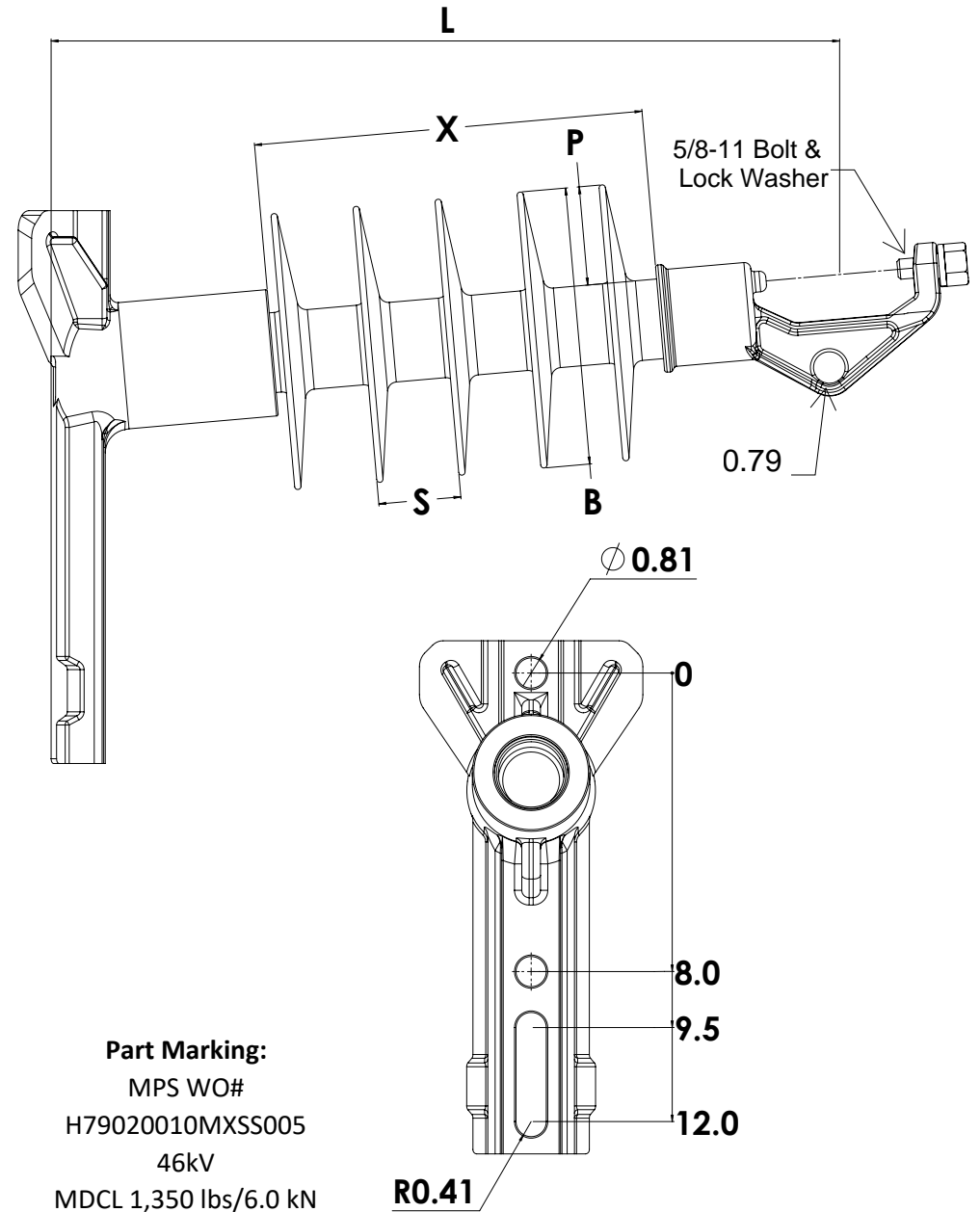
**Electricals Values**

60 Hz dry Flashover:	163 kV	Min. Withstand	128 kV
60 Hz Wet Flashover:	117 kV	Min. Withstand	86 kV
Positive CIFO:	230 kV	Min. Withstand	200 kV
Negative CIFO:	299 kV	Min. Withstand	232 kV

**Mechanical Values**

Max. Design Cant. Load (MDCL): 1,350 lbs 6.0 kN  
Specified Cant. Load (SCL): 2,800 lbs 12.5 kN  
Specified Tensile Load (STL): 5,000 lbs 22.2 kN

This drawing contains confidential information that is the property of MacLean Power, L.L.C. ("MacLean"). Use of MacLean's confidential information without MacLean's express written consent is strictly prohibited and may expose you to legal liability. If you believe that you received this material in error, please destroy it or return it to "MacLean Power, L.L.C., 7801 Park Place Rd., York, South Carolina 29745, USA."



**Part Marking:**  
MPS WO#  
H79020010MXSS005  
46kV  
MDCL 1,350 lbs/6.0 kN

Dimension: inches [millimeters]

**R0.41**

Insulator assembly complies with ANSI C.29.18 and CSA C411.6 Standards

NOTE: Drawing not actual depiction of insulator appearance