



MacLean Power
Systems
7801 Park Place Rd., York, SC 29745
USA (803) 628-2100

MPS Catalog Number

H7 90 20 014 MX SS 007

Revision: PD-1

Date 4/4/2023

End Fittings

Tower End Fitting:

1 Piece Gain Base (Aluminum)

Line End Fitting:

Trunnion

Material

Number of Sheds:

7

Rod Diameter:

1-3/4"

Weight Estimate:

15.0 lbs

6.8 kg

Dimensional Values

Section Length (L):

23.7 in 564 mm

Rubber Length (X):

13.8 in 351 mm

Shed Height (P):

2.4 in 62 mm

Shed Diameter (B):

6.9 in 175 mm

Shed Spacing (S):

2.0 in 52 mm

Dry Arc Distance:

16.7 in 423 mm

Leakage Distance:

45.0 in 1142 mm

Electricals Values

60 Hz dry Flashover:

187 kV

Min. Withstand

162 kV

60 Hz Wet Flashover:

153 kV

Min. Withstand

115 kV

Positive CIFO:

293 kV

Min. Withstand

258 kV

Negative CIFO:

373 kV

Min. Withstand

291 kV

Mechanical Values

Max. Design Cant. Load (MDCL):

1,350 lbs 6.0 kN

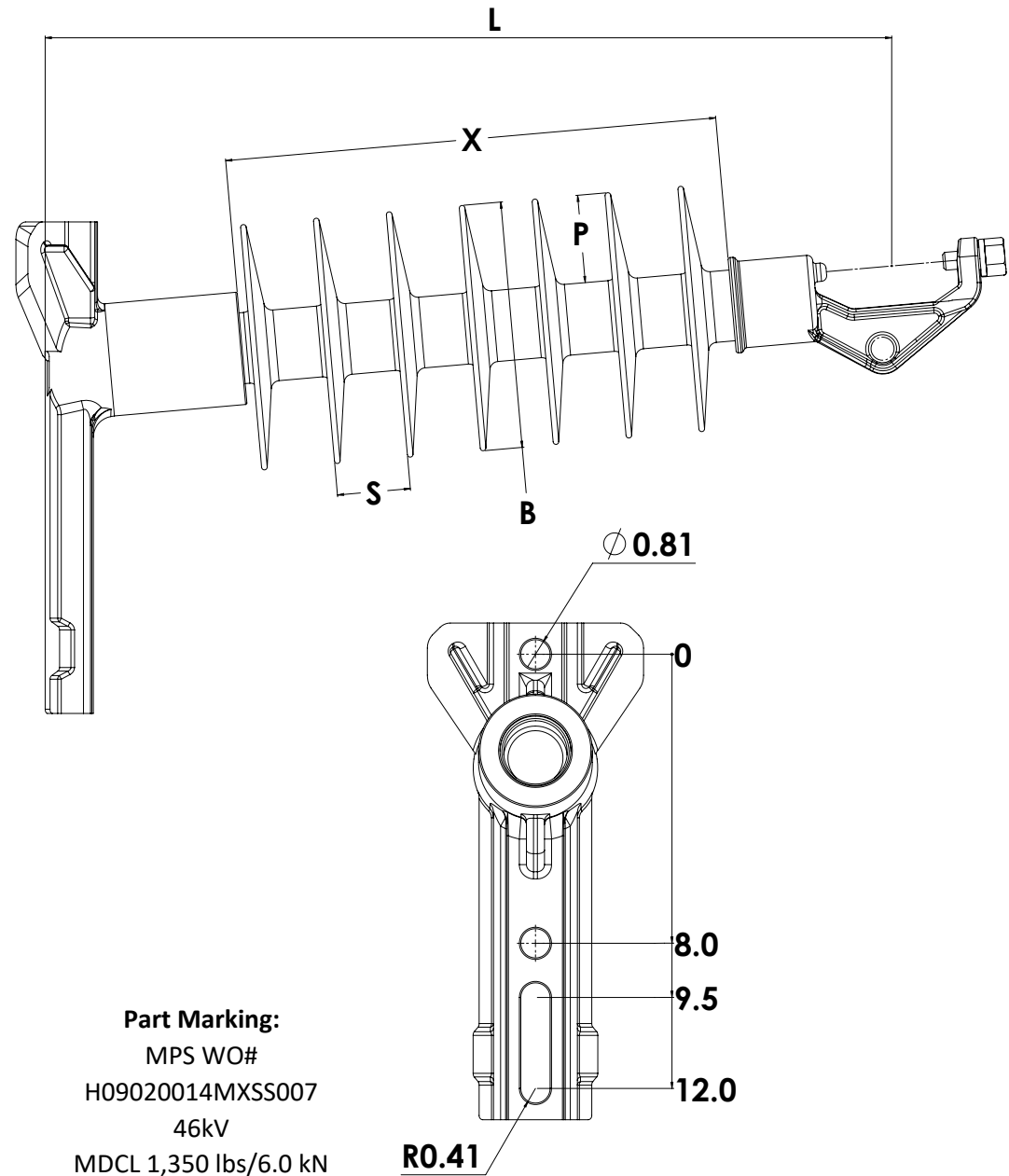
Specified Cant. Load (SCL):

2,800 lbs 12.5 kN

Specified Tensile Load (STL):

5,000 lbs 22.2 kN

This drawing contains confidential information that is the property of MacLean Power, L.L.C. ("MacLean"). Use of MacLean's confidential information without MacLean's express written consent is strictly prohibited and may expose you to legal liability. If you believe that you received this material in error, please destroy it or return it to "MacLean Power, L.L.C., 7801 Park Place Rd., York, South Carolina 29745, USA."



Part Marking:

MPS WO#

H09020014MXSS007

46kV

MDCL 1,350 lbs/6.0 kN

Dimension: inches [millimeters]

NOTE: Drawing not actual depiction of insulator appearance

R0.41

Insulator assembly complies with ANSI C.29.18 and CSA C411.6 Standards