



MacLean Power  
Systems  
7801 Park Place Rd., York, SC 29745  
USA (803) 628-2100

MPS Catalog Number

**H7 90 70 012 MX SS 006**

Revision: PD-1

Date 4/4/2023

**End Fittings**

Tower End Fitting:

1 Piece Gain Base (Aluminum)

Line End Fitting:

F-Neck (Aluminum)

**Material**

Number of Sheds:

6

Rod Diameter:

1-3/4"

Weight Estimate:

14.0 lbs

6.4 kg

**Dimensional Values**

Section Length (L):

21.0 in 513 mm

Rubber Length (X):

11.8 in 300 mm

Shed Height (P):

2.4 in 62 mm

Shed Diameter (B):

6.9 in 175 mm

Shed Spacing (S):

2.0 in 52 mm

Dry Arc Distance:

14.7 in 373 mm

Leakage Distance:

38.5 in 978 mm

**Electricals Values**

60 Hz dry Flashover:

170 kV

Min. Withstand

145 kV

60 Hz Wet Flashover:

135 kV

Min. Withstand

101 kV

Positive CIFO:

262 kV

Min. Withstand

230 kV

Negative CIFO:

337 kV

Min. Withstand

262 kV

**Mechanical Values**

Max. Design Cant. Load (MDCL):

1,350 lbs 6.0 kN

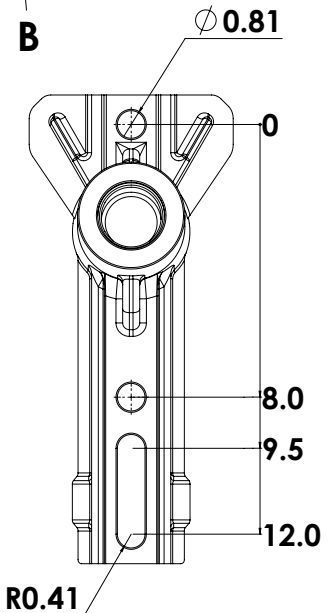
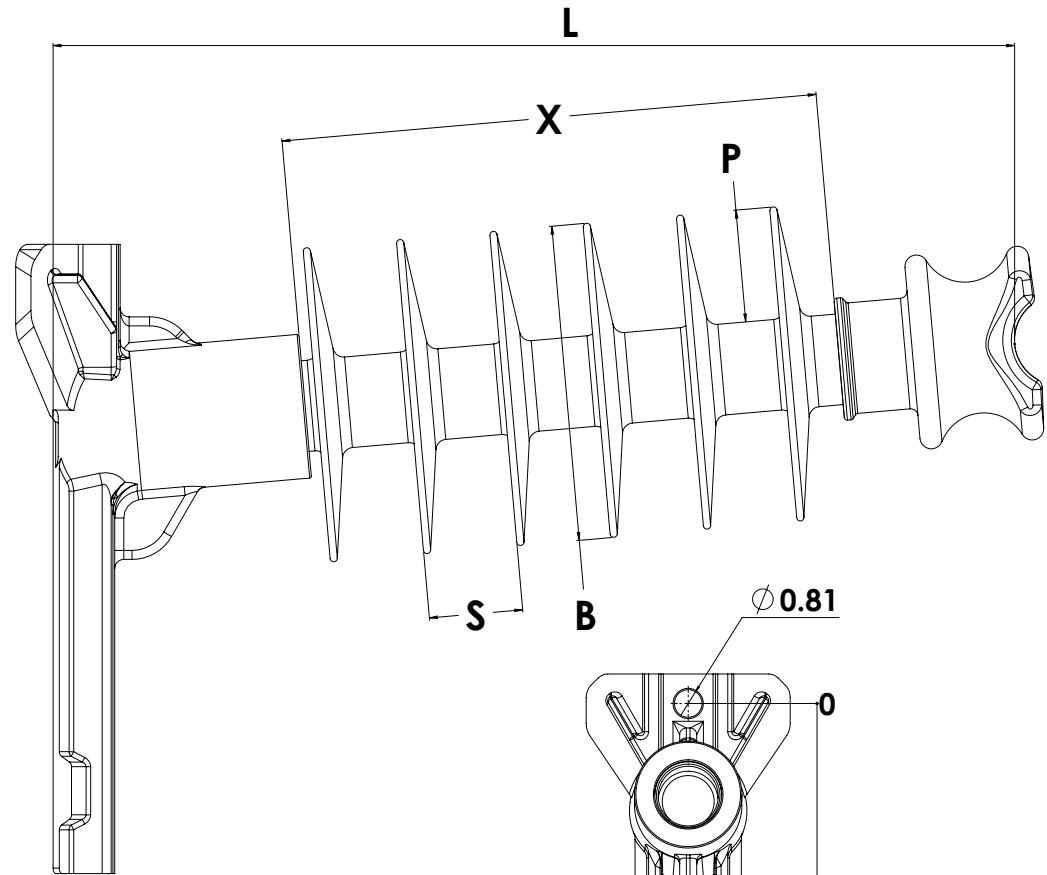
Specified Cant. Load (SCL):

2,800 lbs 12.5 kN

Specified Tensile Load (STL):

5,000 lbs 22.2 kN

This drawing contains confidential information that is the property of MacLean Power, L.L.C. ("MacLean"). Use of MacLean's confidential information without MacLean's express written consent is strictly prohibited and may expose you to legal liability. If you believe that you received this material in error, please destroy it or return it to "MacLean Power, L.L.C., 7801 Park Place Rd., York, South Carolina 29745, USA."



**Part Marking:**

MPS WO#  
H79070012MXSS006

MDCL 1,350 lbs/6.0 kN

Dimension: inches [millimeters]

NOTE: Drawing not actual depiction of insulator appearance

Insulator assembly complies with ANSI C.29.18 and CSA  
C411.6 Standards