



MacLean Power
Systems
7801 Park Place Rd., York, SC 29745
USA (803) 628-2100

MPS Catalog Number **H7 90 70 016 MX SS 008**
Revision: PD-2 Date 4/4/2023

End Fittings

Tower End Fitting: 1 Piece Gain Base (Aluminum)

Line End Fitting: F-Neck (Aluminum)

Material

Number of Sheds: 8
Rod Diameter: 1-3/4"
Weight Estimate: 16.0 lbs 7.3 kg

Dimensional Values

Section Length (L): 25.1 in 617 mm
Rubber Length (X): 15.9 in 404 mm
Shed Height (P): 2.4 in 62 mm
Shed Diameter (B): 6.9 in 175 mm
Shed Spacing (S): 2.0 in 52 mm
Dry Arc Distance: 18.4 in 467 mm
Leakage Distance: 51.5 in 1308 mm

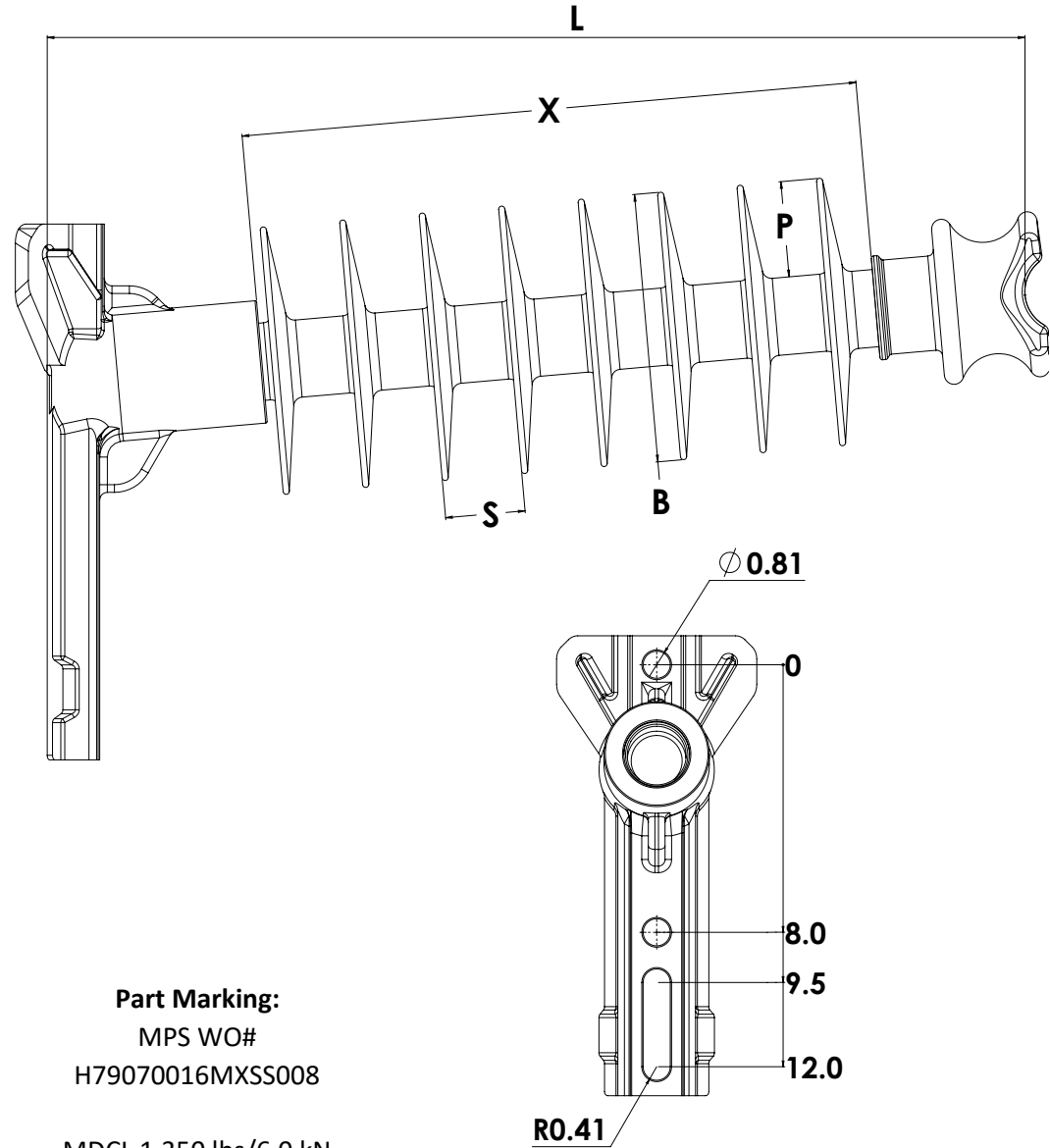
Electricals Values

60 Hz dry Flashover:	211 kV	Min. Withstand	177 kV
60 Hz Wet Flashover:	169 kV	Min. Withstand	128 kV
Positive CIFO:	320 kV	Min. Withstand	283 kV
Negative CIFO:	372 kV	Min. Withstand	316 kV

Mechanical Values

Max. Design Cant. Load (MDCL):	1,350 lbs	6.0 kN
Specified Cant. Load (SCL):	2,800 lbs	12.5 kN
Specified Tensile Load (STL):	5,000 lbs	22.2 kN

This drawing contains confidential information that is the property of MacLean Power, L.L.C. ("MacLean"). Use of MacLean's confidential information without MacLean's express written consent is strictly prohibited and may expose you to legal liability. If you believe that you received this material in error, please destroy it or return it to "MacLean Power, L.L.C., 7801 Park Place Rd., York, South Carolina 29745, USA."



Part Marking:
MPS WO#
H79070016MXSS008
MDCL 1,350 lbs/6.0 kN

Dimension: inches [millimeters]

NOTE: Drawing not actual depiction of insulator appearance

Insulator assembly complies with ANSI C.29.18 and CSA C411.6 Standards