



MacLean Power  
Systems  
7801 Park Place Rd., York, SC 29745  
USA (803) 628-2100

MPS Catalog Number **H7 90 70 018 MX SS 009**  
Revision: PD-2 Date 10/7/2024

**End Fittings**

Tower End Fitting: 1 Piece Gain Base (Aluminum)

Line End Fitting: F-Neck (Aluminum)

**Material**

Number of Sheds: 9  
Rod Diameter: 1.75 in  
Weight Estimate: 17.0 lbs 7.7 kg

**Dimensional Values**

Section Length (L): 27.0 in 673 mm  
Rubber Length (X): 18.0 in 456 mm  
Shed Height (P): 2.4 in 62 mm  
Shed Diameter (B): 6.9 in 175 mm  
Shed Spacing (S): 2.0 in 52 mm  
Dry Arc Distance: 20.8 in 529 mm  
Leakage Distance: 58.2 in 1478 mm

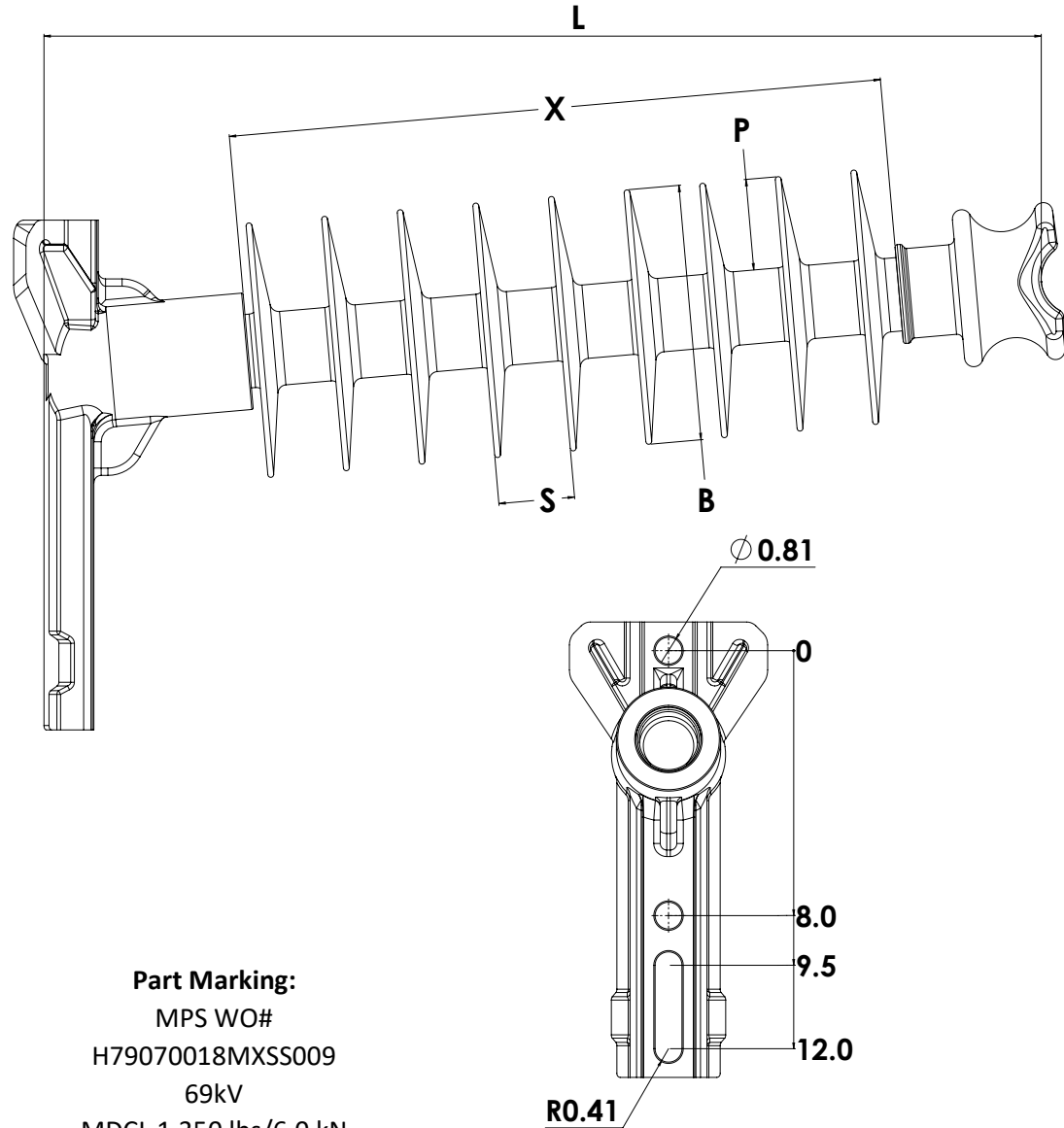
**Electricals Values**

60 Hz dry Flashover:	232 kV	Min. Withstand	198 kV
60 Hz Wet Flashover:	185 kV	Min. Withstand	145 kV
Positive CIFO:	358 kV	Min. Withstand	319 kV
Negative CIFO:	411 kV	Min. Withstand	352 kV

**Mechanical Values**

Max. Design Cant. Load (MDCL):	1,235 lbs	5.5 kN
Specified Cant. Load (SCL):	2,470 lbs	11. kN
Specified Tensile Load (STL):	5,000 lbs	22.2 kN

This drawing contains confidential information that is the property of MacLean Power, L.L.C. ("MacLean"). Use of MacLean's confidential information without MacLean's express written consent is strictly prohibited and may expose you to legal liability. If you believe that you received this material in error, please destroy it or return it to "MacLean Power, L.L.C., 7801 Park Place Rd., York, South Carolina 29745, USA."



**Part Marking:**  
MPS WO#  
H79070018MXSS009  
69kV  
MDCL 1,350 lbs/6.0 kN

Dimension: inches [millimeters]

NOTE: Drawing not actual depiction of insulator appearance

Insulator assembly complies with ANSI C.29.18 and CSA C411.6 Standards