



MacLean Power Systems
 7801 Park Place Rd., York, SC 29745
 USA (803) 628-2100

MPS Catalog Number

H7 90 U0 012 MX SS 006

Revision: PD-1

Date 4/5/2023

End Fittings

Tower End Fitting: 1 Piece Gain Base (Aluminum)
 Line End Fitting: Universal Trunnion (Aluminum)
 Line End Fitting: Conductor Range 0.20" - 1.34" (6.35mm 34mm)
 Recommended Torque: 60 lb*ft

Material

Number of Sheds: 6
 Rod Diameter: 1-3/4"
 Weight Estimate: 13.8 lbs 6.3 kg

Dimensional Values

Section Length (L): 21.6 in 513 mm
 Rubber Length (X): 11.8 in 300 mm
 Shed Height (P): 2.4 in 62 mm
 Shed Diameter (B): 6.9 in 175 mm
 Shed Spacing (S): 2.0 in 52 mm
 Dry Arc Distance: 14.7 in 373 mm
 Leakage Distance: 38.5 in 978 mm

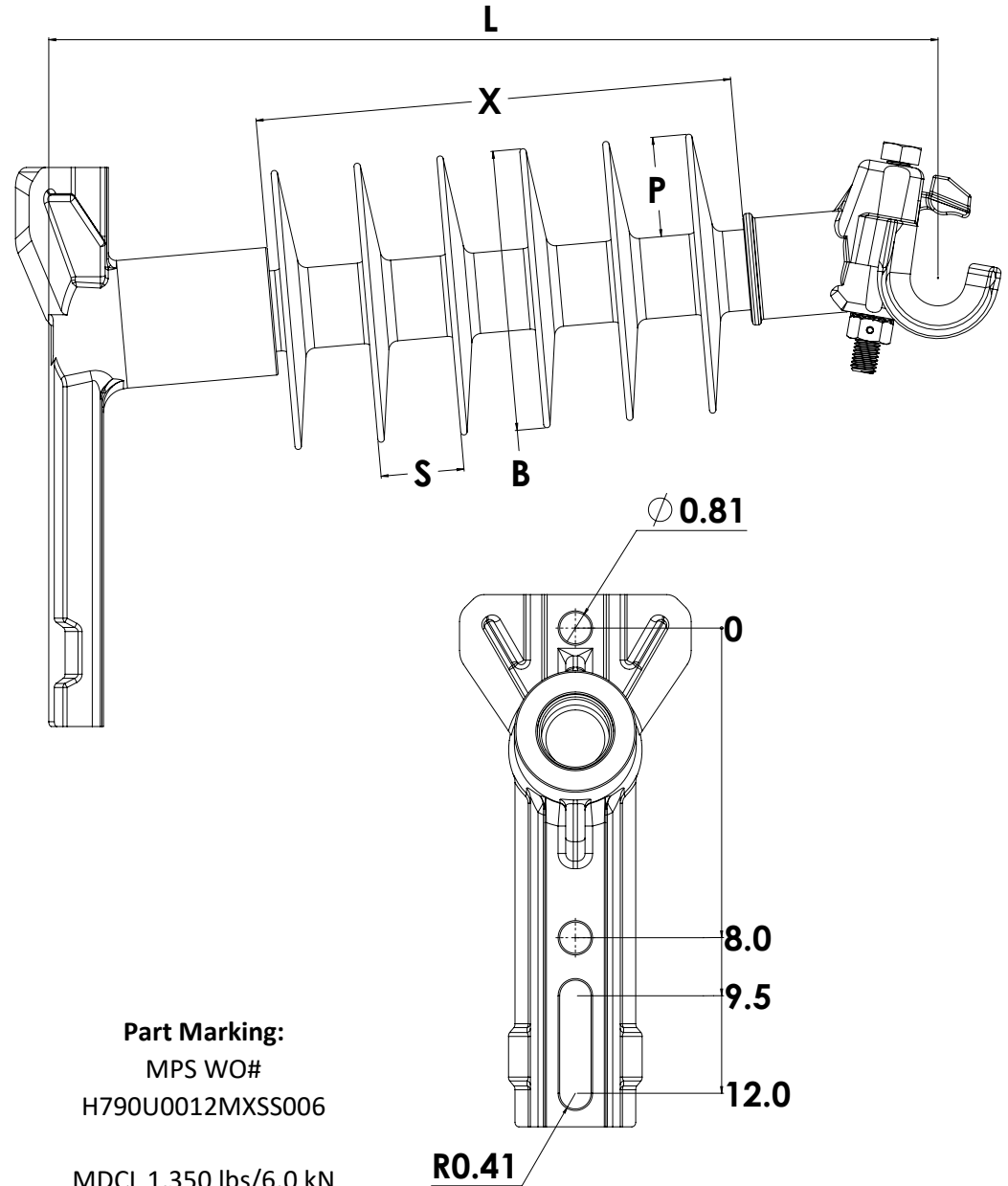
Electricals Values

60 Hz dry Flashover: 170 kV Min. Withstand 145 kV
 60 Hz Wet Flashover: 135 kV Min. Withstand 101 kV
 Positive CIFO: 262 kV Min. Withstand 230 kV
 Negative CIFO: 337 kV Min. Withstand 262 kV

Mechanical Values

Max. Design Cant. Load (MDCL): 1,350 lbs 6.0 kN
 Specified Cant. Load (SCL): 2,800 lbs 12.5 kN
 Specified Tensile Load (STL): 5,000 lbs 22.2 kN

This drawing contains confidential information that is the property of MacLean Power, L.L.C. ("MacLean"). Use of MacLean's confidential information without MacLean's express written consent is strictly prohibited and may expose you to legal liability. If you believe that you received this material in error, please destroy it or return it to "MacLean Power, L.L.C., 7801 Park Place Rd., York, South Carolina 29745, USA."



Part Marking:

MPS WO#
 H790U0012MXSS006

MDCL 1,350 lbs/6.0 kN

Dimension: inches [millimeters]

NOTE: Drawing not actual depiction of insulator appearance

Insulator assembly complies with ANSI C.29.18 and CSA C411.6 Standards