



MacLean Power Systems
 7801 Park Place Rd., York, SC 29745
 USA (803) 628-2100

MPS Catalog Number

H7 90 U0 016 MX SS 008

Revision: PD-1

Date 4/5/2023

End Fittings

Tower End Fitting:
 Line End Fitting:

1 Piece Gain Base (Aluminum)
 Universal Trunnion (Aluminum)
 Conductor Range 0.20" - 1.34" (6.35mm 34mm)
 Recommended Torque: 60 lb*ft

Material

Number of Sheds: 8
 Rod Diameter: 1-3/4"
 Weight Estimate: 16.6 lbs 7.5 kg

Dimensional Values

Section Length (L): 25.9 in 617 mm
 Rubber Length (X): 15.9 in 404 mm
 Shed Height (P): 2.4 in 62 mm
 Shed Diameter (B): 6.9 in 175 mm
 Shed Spacing (S): 2.0 in 52 mm
 Dry Arc Distance: 18.4 in 467 mm
 Leakage Distance: 51.5 in 1308 mm

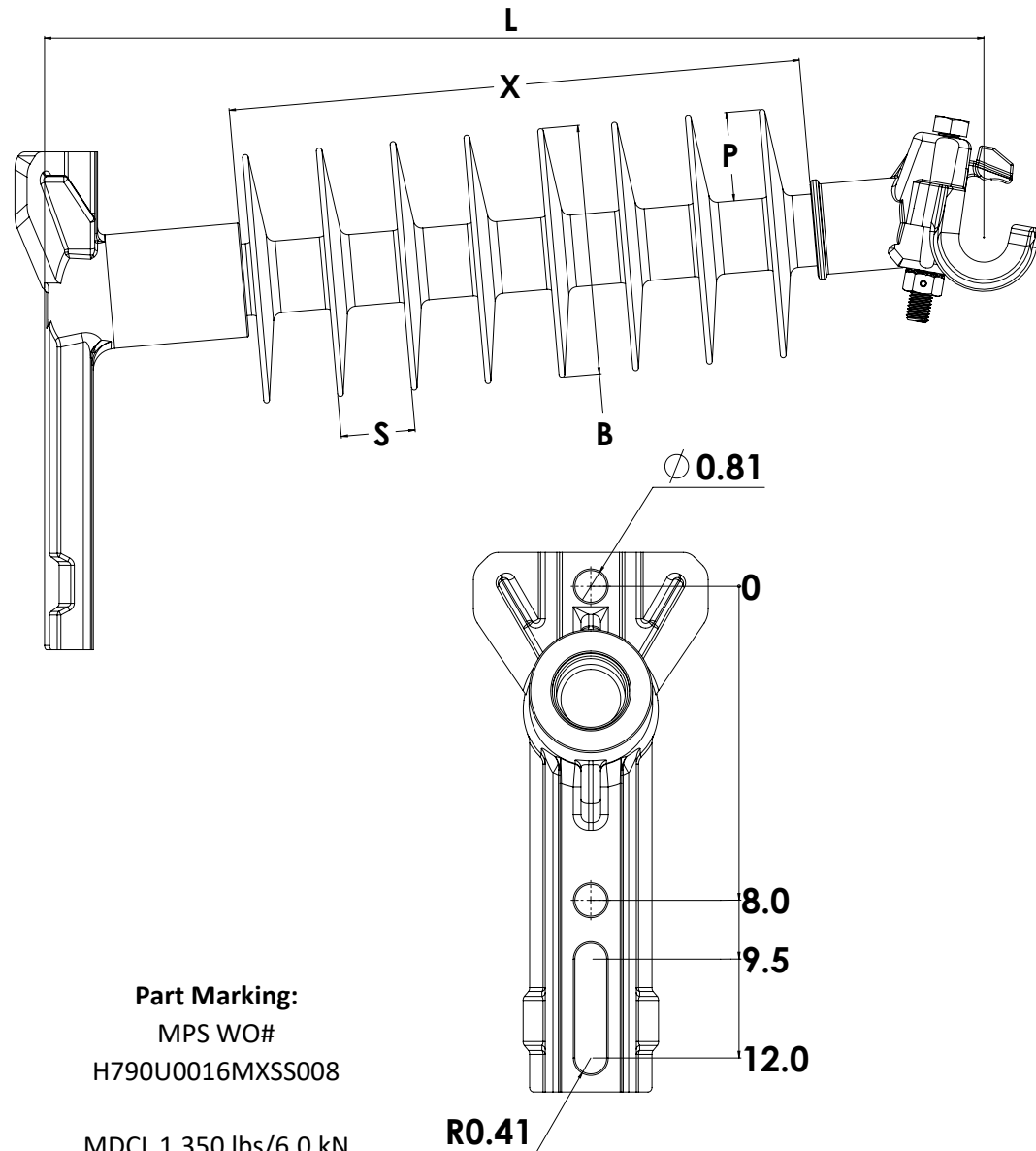
Electricals Values

60 Hz dry Flashover: 211 kV Min. Withstand 177 kV
 60 Hz Wet Flashover: 169 kV Min. Withstand 128 kV
 Positive CIFO: 320 kV Min. Withstand 283 kV
 Negative CIFO: 372 kV Min. Withstand 316 kV

Mechanical Values

Max. Design Cant. Load (MDCL): 1,350 lbs 6.0 kN
 Specified Cant. Load (SCL): 2,800 lbs 12.5 kN
 Specified Tensile Load (STL): 5,000 lbs 22.2 kN

This drawing contains confidential information that is the property of MacLean Power, L.L.C. ("MacLean"). Use of MacLean's confidential information without MacLean's express written consent is strictly prohibited and may expose you to legal liability. If you believe that you received this material in error, please destroy it or return it to "MacLean Power, L.L.C., 7801 Park Place Rd., York, South Carolina 29745, USA."



Part Marking:

MPS WO#
 H790U0016MXSS008

MDCL 1,350 lbs/6.0 kN

Dimension: inches [millimeters]

NOTE: Drawing not actual depiction of insulator appearance

Insulator assembly complies with ANSI C.29.18 and CSA C411.6 Standards