

HOT LINE ALUMINUM STIRRUP (HLAS)

OVERVIEW

MPS introduces the new HLAS (Hot Line Aluminum Stirrup) series, designed to enhance safety, durability, and efficiency in hot line and live-line applications. A sprung opening allows easy installation over the conductor, while round eye stems support smooth hot-stick operation.

KEY FEATURES

- **Springed Opening Design:** Enables quick installation over the conductor
- **Hot-Stick Compatible:** Round eye stems support live-line work
- **Aluminum Construction:** Lightweight and durable for high-current applications
- **Live-Line Ready:** Designed for energized environments

TECHNICAL HIGHLIGHTS

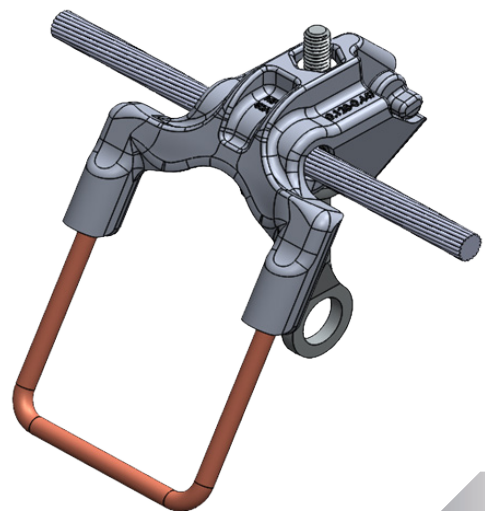
- Designed for reliable performance on energized conductors
- Promotes improved installer positioning during live-line work
- Maintains consistent electrical contact under operating loads

SAFETY & RELIABILITY

- Supports established live-line safety practices
- Manufactured to meet MPS standards for performance and dependability

ORDERING & AVAILABILITY

- This addition reflects MPS's ongoing commitment to innovation, quality, and customer satisfaction.
- For specifications or ordering details, please contact your MPS representative or visit the MPS website.



LEADING THE WAY[™]

www.maclepower.com | 855.MPS.SHIP | Fort Mill, SC 29715

HOT LINE ALUMINUM STIRRUP (HLAS)

CATALOG NUMBER	FIGURE	MIN. CONDUCTOR RANGE	MAX. CONDUCTOR RANGE
HLAS447E	1	0.128"	0.447"
HLAS813E	2	0.325"	0.813"
HLAS1246E	3	0.677"	1.246"

NOTE:

- Items highlighted in red are scheduled for release in Q3 2026.

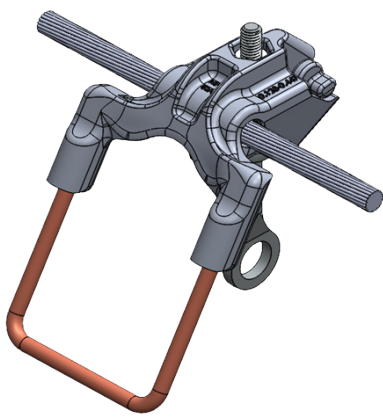


FIGURE 1

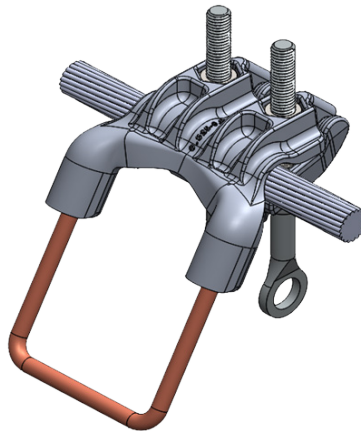


FIGURE 2

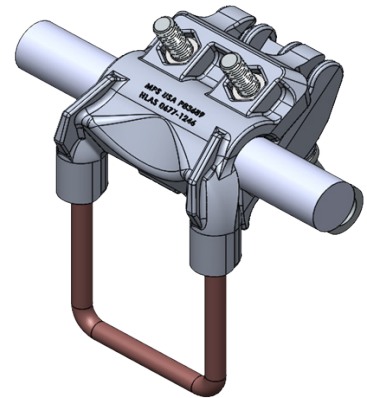


FIGURE 3