

MPS Catalog Number: **MG420Z**

Rev: A
Date: 4/9/2026
IEC Class: **IEC 28**
Ball and Socket Coupling: w/ Zinc Sleeve 28
Shell Profile: Standard
Weight: 35.3 lbs 16.0 kg

DIMENSIONS

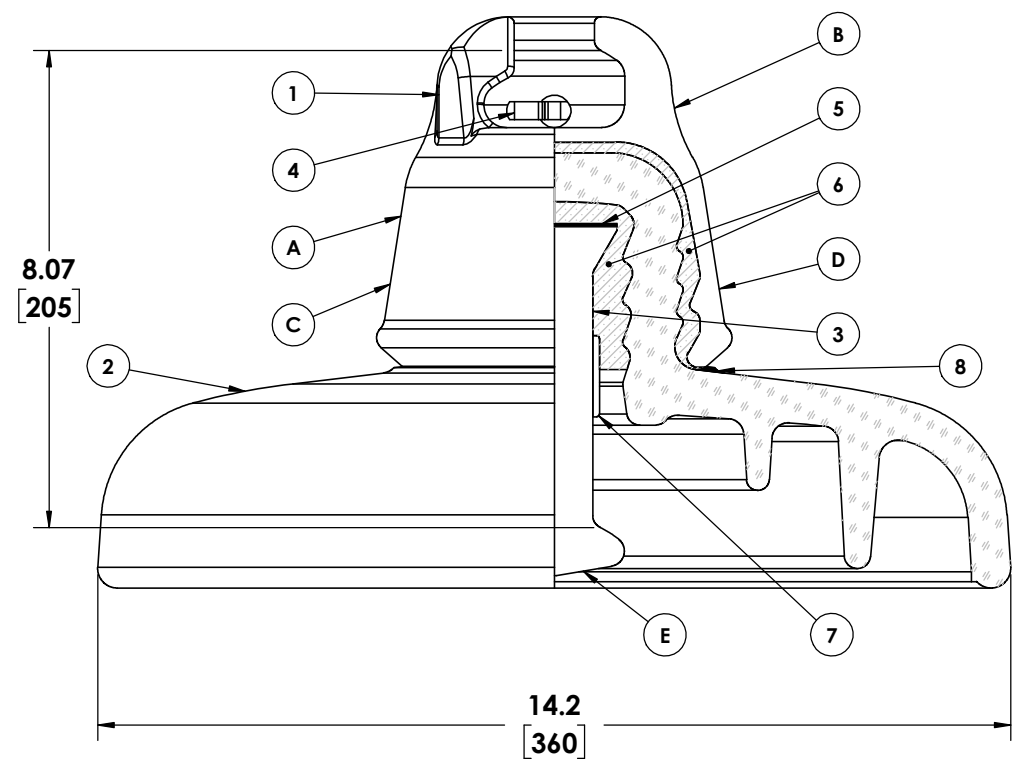
Diameter (D): 14.2 in 360 mm
Spacing: 8.07 in 205 mm
Leakage Distance: 21.7 in 550 mm

ELECTRICAL VALUES

Low Frequency Dry Flashover: 90 kV
Low Frequency Wet Flashover: 55 kV
Critical Impulse Flashover Positive (CIFO +): 140 kV
Critical Impulse Flashover Negative (CIFO -): 140 kV
Low Frequency Puncture Voltage: 130 kV
Radio Influence Voltage(RIV) Test Voltage: 10 kV
Maximum RIV at 1 MHz: 50 μV

MECHANICAL VALUES

Combined Electrical & Mechanical (M&E) Rating 94 klb 420 kN
Routine Test Mech. Proof Load: 47 klb 210 kN
Impact Strength: 400 in-lbs 45 N-m



- (A) **INSULATOR SUPPLIER MARKING**
- (B) **CAP SUPPLIER MARKING**
- (C) **TEST 47000 M&E 94000 MG420Z**
- (D) **YEAR OF MANUFACTURE YYYY**
- (E) **COUNTRY OF ORIGIN STAMP**

Item#	Qty	Description	Material
1	1	Cap	Hot Dip Galvanized Cast Iron
2	1	Shell	Toughened Glass
3	1	Pin	Hot Dip Galvanized Forged Steel
4	1	Cotter Pin	Stainless Steel ANSI
5	1	Gasket	Asphalt Felt
6	---	Cement	Aluminous Cement, Hot Cured
7	1	Zinc Sleeve	Zinc
8	1	Coating	Pile