



MacLean Power Systems
7801 Park Place Rd., York, SC
29745 USA (803) 628-2100

MPS Catalog Number:

MG523Z

Rev:		E
Date:		3/30/2026
ANSI Class:		ANSI 52-3H
Ball and Socket Coupling:	w/ Zinc Sleeve	Type B
Shell Profile:		Standard
Weight:	8.0 lbs	3.6 kg

DIMENSIONS

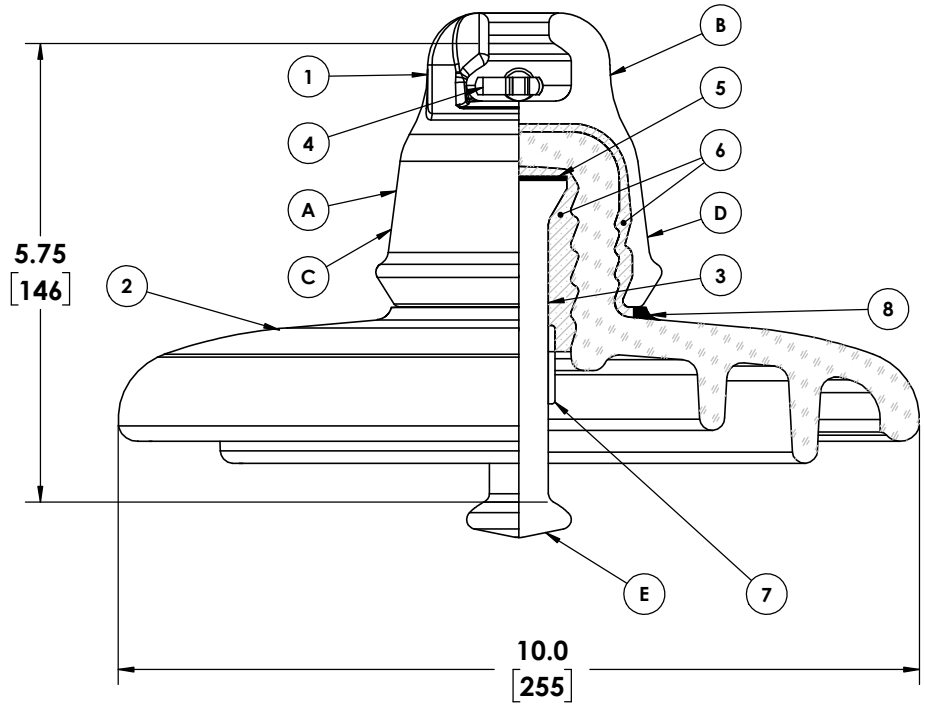
Diameter (D):	10.0 in	255 mm
Spacing:	5.75 in	146 mm
Leakage Distance:	12.6 in	321 mm

ELECTRICAL VALUES

Low Frequency Dry Flashover:	80 kV
Low Frequency Wet Flashover:	50 kV
Critical Impulse Flashover Positive (CIFO +):	125 kV
Critical Impulse Flashover Negative (CIFO -):	130 kV
Low Frequency Puncture Voltage:	130 kV
Radio Influence Voltage(RIV) Test Voltage:	10 kV
Maximum RIV at 1 MHz:	50 µV

MECHANICAL VALUES

Combined Electrical & Mechanical (M&E) Rating	22 klb	98 kN
Routine Test Mech. Proof Load:	11 klb	49 kN
Impact Strength:	400 in-lbs	45 N-m



- (A) **INSULATOR
SUPPLIER
MARKING**
- (B) **CAP SUPPLIER
MARKING**
- (C) **TEST 11000
M&E 22000
MG523Z**
- (D) **YEAR OF
MANUFACTURE
YYYY**
- (E) **COUNTRY OF
ORIGIN
STAMP**

Item#	Qty	Description	Material
1	1	Cap	Hot Dip Galvanized Cast Iron
2	1	Shell	Toughened Glass
3	1	Pin	Hot Dip Galvanized Forged Steel
4	1	Cotter Pin	Stainless Steel ANSI
5	1	Gasket	Asphalt Felt
6	---	Cement	Aluminous Cement, Hot Cured
7	1	Zinc Sleeve	Zinc
8	1	Coating	Pile

This drawing contains confidential information that is the property of MacLean Power LLC ("MacLean"). Use of MacLean's confidential information without MacLean's express written consent is strictly prohibited and may expose you to legal liability. If you believe that you received this material in error, please destroy it or return it to "MacLean Power, 7801 Park Place Rd. York, South Carolina 29745, USA"