

MPS Catalog Number:

MG525Z

Rev: E
Date: 3/30/2026
ANSI Class: **ANSI 52-5H**
Ball and Socket Coupling: w/ Zinc Sleeve Type J
Shell Profile: Standard
Weight: 8.8 lbs 4.0 kg

DIMENSIONS

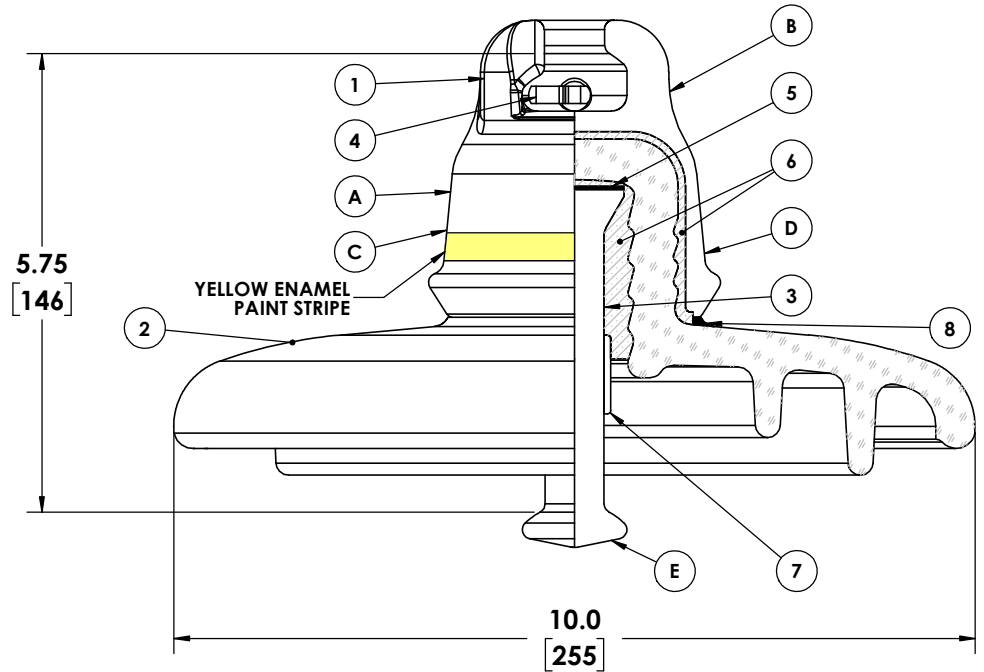
Diameter (D): 10.0 in 255 mm
Spacing: 5.75 in 146 mm
Leakage Distance: 12.6 in 321 mm

ELECTRICAL VALUES

Low Frequency Dry Flashover: 80 kV
Low Frequency Wet Flashover: 50 kV
Critical Impulse Flashover Positive (CIFO +): 125 kV
Critical Impulse Flashover Negative (CIFO -): 130 kV
Low Frequency Puncture Voltage: 130 kV
Radio Influence Voltage(RIV) Test Voltage: 10 kV
Maximum RIV at 1 MHz: 50 μV

MECHANICAL VALUES

Combined Electrical & Mechanical (M&E) Rating 30 klb 133 kN
Routine Test Mech. Proof Load: 15 klb 67 kN
Impact Strength: 400 in-lbs 45 N-m



A INSULATOR SUPPLIER MARKING **B** CAP SUPPLIER MARKING **C** TEST 15000 M&E 30000 MG525Z **D** YEAR OF MANUFACTURE YYYY **E** COUNTRY OF ORIGIN STAMP

Item#	Qty	Description	Material
1	1	Cap	Hot Dip Galvanized Cast Iron
2	1	Shell	Toughened Glass
3	1	Pin	Hot Dip Galvanized Forged Steel
4	1	Cotter Pin	Stainless Steel ANSI
5	1	Gasket	Asphalt Felt
6	---	Cement	Aluminous Cement, Hot Cured
7	1	Zinc Sleeve	Zinc
8	1	Coating	Pile