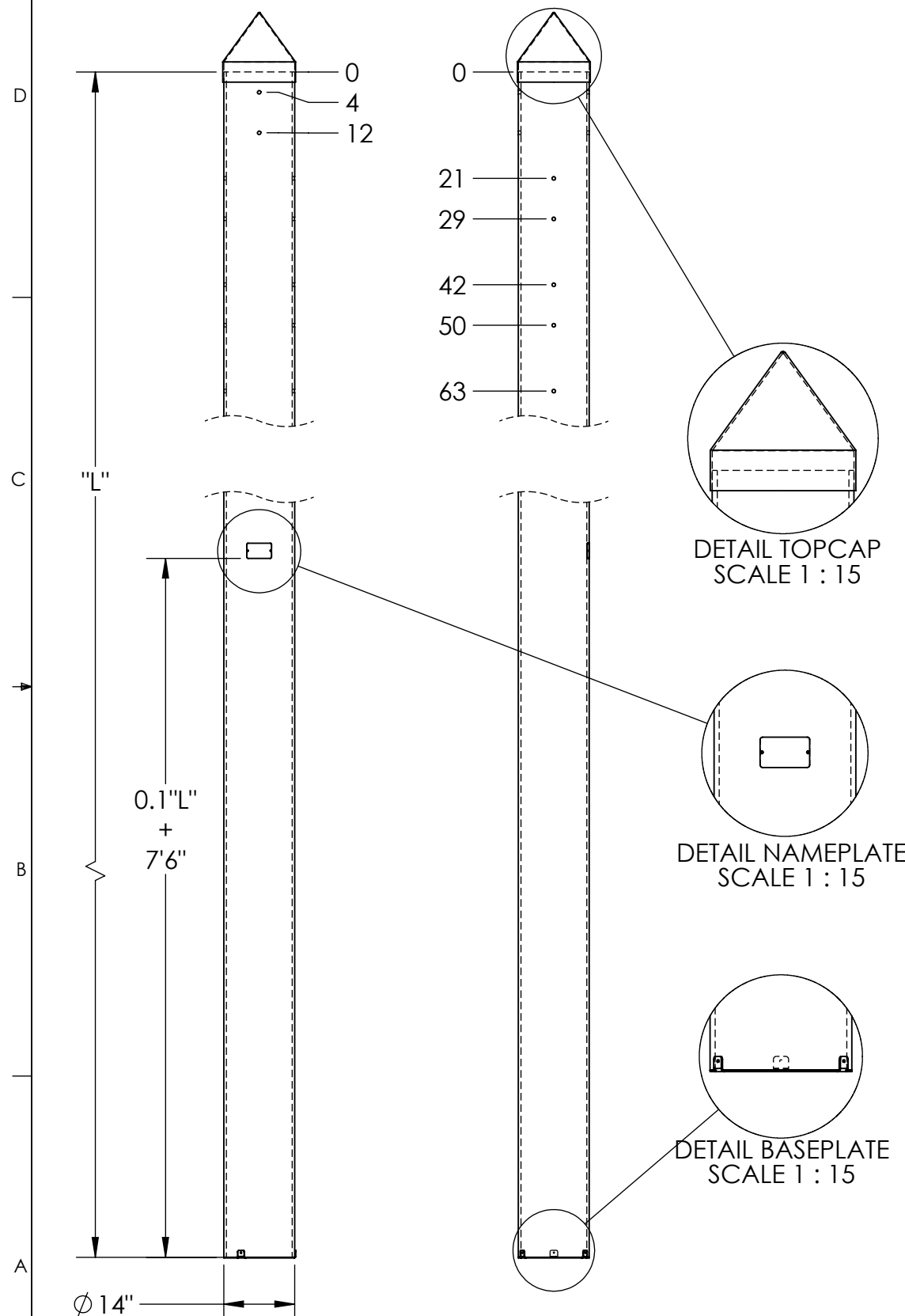


GRIDCORE™ COMPOSITE UTILITY POLES

PAPER SIZE		DRAWING NUMBER	
B		DX34-DG-P004	
REV	REVISED BY	REVISION DATE	ECO #
REVISIONS			
REV.	ECO BY	ECO DATE	ECO NUMBER

ITEM NO.	DESCRIPTION	QTY.
1	14" x 0.5"/0.75" x XX.X FT LG PULTRUDED TUBE	1
2	14" BLACK PLASTIC POLE CAP	1
3	14" SS POLE BASE	1
4	#12-24 SCREWS	6

"L" [FT]	CLASS	WEIGHT [LBS]	CATALOG #
40	C4	708	X34B DG 40C4 P004
40	C3	708	X34B DG 40C3 P004
40	C2	708	X34B DG 40C2 P004
40	C1	708	X34B DG 40C1 P004
40	H1	1040	X34A DG 40H1 P004
40	H2	1040	X34A DG 40H2 P004
40	H3	1040	X34A DG 40H3 P004
45	C4	797	X34B DG 45C4 P004
45	C3	797	X34B DG 45C3 P004
45	C2	797	X34B DG 45C2 P004
45	C1	797	X34B DG 45C1 P004
45	H1	1170	X34A DG 45H1 P004
45	H2	1170	X34A DG 45H2 P004
45	H3*	1170	X34A DG 45H3 P004
50	C4	885	X34B DG 50C4 P004
50	C3	885	X34B DG 50C3 P004
50	C2	885	X34B DG 50C2 P004
50	C1	1300	X34A DG 50C1 P004
50	H1	1300	X34A DG 50H1 P004
50	H2	1300	X34A DG 50H2 P004
50	H3*	1300	X34A DG 50H3 P004
55	C4	974	X34B DG 55C4 P004
55	C3	974	X34B DG 55C3 P004
55	C2	974	X34B DG 55C2 P004
55	C1	1430	X34A DG 55C1 P004
55	H1	1430	X34A DG 55H1 P004
55	H2*	1430	X34A DG 55H2 P004
55	H3*	1430	X34A DG 55H3 P004
60	C4	1062	X34B DG 60C4 P004
60	C3	1062	X34B DG 60C3 P004
60	C2	1062	X34B DG 60C2 P004
60	C1	1560	X34A DG 60C1 P004
60	H1	1560	X34A DG 60H1 P004
60	H2*	1560	X34A DG 60H2 P004
60	H3*	1560	X34A DG 60H3 P004
65	C4	1151	X34B DG 65C4 P004
65	C3	1151	X34B DG 65C3 P004
65	C2	1690	X34A DG 65C2 P004
65	C1	1690	X34A DG 65C1 P004
65	H1*	1690	X34A DG 65H1 P004
65	H2*	1690	X34A DG 65H2 P004
70	C3	1239	X34B DG 70C3 P004
70	C2	1820	X34A DG 70C2 P004
70	C1	1820	X34A DG 70C1 P004
70	H1*	1820	X34A DG 70H1 P004
70	H2*	1820	X34A DG 70H2 P004
75	C3	1328	X34B DG 75C3 P004
75	C2	1950	X34A DG 75C2 P004
75	C1	1950	X34A DG 75C1 P004
75	H1*	1950	X34A DG 75H1 P004
80	C3	1416	X34B DG 80C3 P004
80	C2	2080	X34A DG 80C2 P004
80	C1*	2080	X34A DG 80C1 P004
80	H1*	2080	X34A DG 80H1 P004



TOPCAP-
BLACK PLASTIC
SECURED WITH 3 #12-24 SCREWS 120° APART

NAMEPLATE-
ALUMINUM
SECURED WITH 2 #12-24 SCREWS

CONTAINS THE FOLLOWING INFORMATION:

GRIDCORE™ LOGO
POLE SERIAL NUMBER
POLE CLASS/LENGTH
POLE WEIGHT
CUSTOMER NAME

BASEPLATE-
10 GA. SS
2 IN-DIA. DRAIN HOLE AT CENTER
SECURED WITH 3 #12-24 SCREWS THROUGH MOUNTING TABS

NOTES:

- POLES ARE DARK GRAY IN COLOR.
- POLES ARE PREASSEMBLED WITH CAP AND BASE PLATE. HOLE PLUGS PROVIDED FOR PRE-DRILLED POLES. FOR PRE-DRILLED POLE DRAWINGS/CATALOG NUMBERS, CONTACT ENGINEERING.
- CAP AND BASE PLATE TO BE SECURED WITH 3 #12-24 SELF-TAPPING SCREWS EACH.
- CLASS LOAD RATING IS SPECIFIED ON NAME PLATE OF EACH POLE. DEFLECTION, BASED ON DEFLECTION EQUIVALENCY TO A SOUTHERN YELLOW PINE POLE.
- GRIDCORE™ POLE DEFLECTION WITHIN 10% OF A WOOD POLE (SYP) OF THE SAME CLASS.

*POLE STRENGTH SATISFIES CLASS LOAD. DEFLECTION MAY BE SIGNIFICANT. CONSULT ENGINEERING.

This drawing contains confidential information that is the property of MacLean Power, L.L.C. ("MPS"). Use of MacLean's confidential information without MPS's express written consent is strictly prohibited and may expose you to legal liability. If you believe that you received this material in error, please destroy it or return it to "MPS, 481 Munn Rd East, Fort Mill, SC 29715, USA."

UNLESS OTHERWISE SPECIFIED DIMENSIONS ARE IN: INCHES	
XX	+/-
X/XX	+/-
ANGLES	+/-

SCALE 1:30 DO NOT SCALE SHEET

CATALOG NO:	SEE TABLE
PART NO:	MULTIPLE
CID NO:	N/A
WEIGHT:	SEE TABLE

DESCRIPTION:
GRIDCORE™ POLES, SINGLE SUPPORT-NARROW PROFILE MULTIPLE LENGTHS

ENG APR: _____ DATE: _____



PAGE 1 OF 1	ORIGINAL DATE:
DRAWING NUMBER:	DX34-DG-P004