

ERGO SWITCH

IN-LINE DISCONNECT



UTILITY

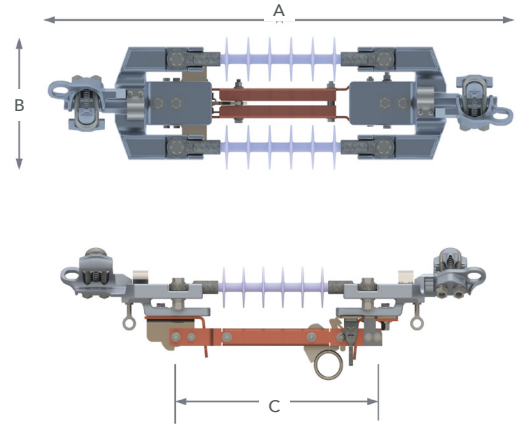
SWITCHING SOLUTIONS

IN-LINE DISCONNECT

Engineered for precision and safety, the ERGO Switch delivers reliable in-line disconnect performance for utility professionals.

KEY FEATURES

- Installs with common power tools
- Design reduces risk of contact with other potentials
- All components pre-attached for quick installation
- No need for fire-on tools, cartridges, or maintenance programs
- First single man installation in-line switch (safety rules permitting)
- Lineman-inspired design, patent pending



CONDUCTOR RANGE ACSR	CATALOG NUMBER	SPECIFICATION	DECIMAL RANGE	CONTINUOUS CURRENT	"A" (IN)	"B" (IN)
#4 to 336.4	ERG19D-1	15kV, 110kV BIL	0.25" - 0.684"	900A	32.625	10.5
	ERG19D-1-V	15kV, 110kV BIL	0.25" - 0.684"	900A	32.625	10.5
	ERG29D-1	28kV, 150kV BIL	0.25" - 0.684"	900A	36.625	10.5
	ERG29D-1-V	28kV, 150kV BIL	0.25" - 0.684"	900A	36.625	10.5
336.4 to 795	ERG39D-1	35kV, 200kV BIL	0.25" - 0.684"	900A	38.375	10.5
	ERG19D-2	15kV, 110kV BIL	0.684" - 1.108"	900A	40.25	10.5
	ERG19D-2-V	15kV, 110 kV BIL	0.684" - 1.108"	900A	40.25	10.5
	ERG29D-2	28kV, 150kV BIL	0.684" - 1.108"	900A	44.25	10.5
	ERG29D-2-V	28kV, 150kV BIL	0.684" - 1.108"	900A	44.25	10.5
	ERG39D-2	35kV, 200kV BIL	0.684" - 1.108"	900A	45.875	10.5
	ERG39D-2-V	35kV, 200kV BIL	0.684" - 1.108"	900A	45.875	10.5
	ERG11D-2	15kV, 110kV BIL	0.684" - 1.108"	1200A	40.25	10.5
ERG21D-2	28kV, 150kV BIL	0.684" - 1.108"	1200A	44.25	10.5	
	ERG31D-2	35kV, 200kV BIL	0.684" - 1.108"	1200A	45.875	10.5

MECHANICAL STRENGTH: BODY: 15,000 lbs : PULLING EYE: 6000 lbs

