



MacLean Power Systems
7801 Park Place Rd., York, SC 29745 USA (803)
628-2100

MPS Catalog Number

NPP 20 XG 15 S

Date 12/4/2023

Revision: A

BIL Rating: 200 kV

TR210P

End Fittings

Top End Fitting: 3 Inch Bolt Circle (Hot Dip Galvanized Cast Iron)

Bottom End Fitting: 3 Inch Bolt Circle (Hot Dip Galvanized Cast Iron)

Material

Number of Sheds: 15
Rod Diameter: 1.75 inches
Weight Estimate: 10 lbs 5 kg
Packaging: 3 Per Crate

Dimensional Values

Height (H): 18.0 in 457 mm
Shed Diameter 1: 4.1 in 105 mm
Shed Diameter 2: 4.7 in 120 mm
Shed Spacing (S): 2.0 in 51 mm
Dry Arc Distance: 16.9 in 429 mm
Leakage Distance: 43.9 in 1114 mm

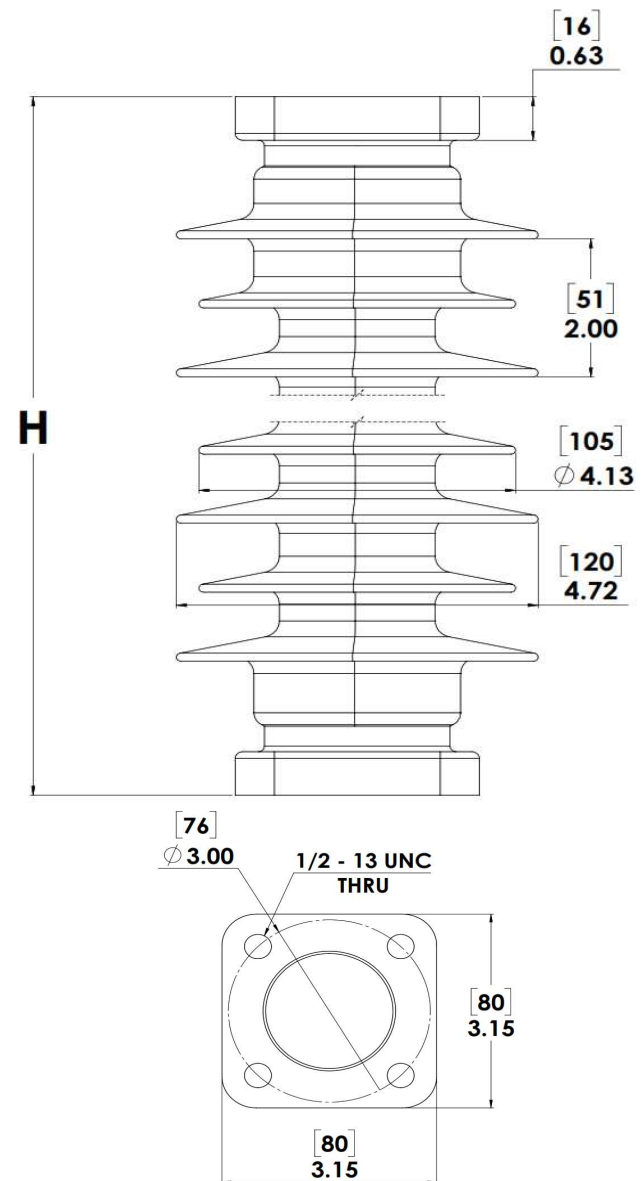
Electrical Values

Low Freq. dry Flashover:	175 kV	Min. Withstand	164 kV
Low Freq. Wet Flashover:	155 kV	Min. Withstand	117 kV
Positive CIFO:	296 kV	Min. Withstand	262 kV
Negative CIFO:	377 kV	Min. Withstand	294 kV
Max RIV @ 1 MHz. Low-freq. test voltage	22kV		100 μV

Mechanical Values

Specified Cant. Load (SCL):	2,800 lbs	12.5 kN
Max. Design Cant. Load (MDCL):	1,400 lbs	6.2 kN
Specified Tensile Load (STL):	10,000 lbs	44 kN
Compression Strength	10,000 lbs	44 kN
Deflection at 800 lbs. (3.6KN)	.4 in	10 mm
Torsional Strength	6,000 In-lbs	678 m.N

Deflection values based on working load of porcelain



Dimension: inches [millimeters]

NOTE: Drawing not actual depiction of insulator appearance

Silicone Rubber, Sheath, & Dimensions comply with ANSI C29.19 and CSA C156.2.

This drawing contains confidential information that is the property of MacLean Power, L.L.C. ("MacLean"). Use of MacLean's confidential information without MacLean's express written consent is strictly prohibited and may expose you to legal liability. If you believe that you received this material in error, please destroy it or return it to "MacLean Power, L.L.C., 7801 Park Place Rd., York, South Carolina 29745, USA."