



MacLean Power Systems
7801 Park Place Rd., York, SC 29745 USA (803) 628-2100

MPS Catalog Number
Date 6/17/2025
Revision: C

P2 50 50 037 MX SS 019
Dimensions acc. To ANSI C29.19
BIL Rating: 550 kV TR286P/TR287P

End Fittings	5 Inch Bolt Circle (Hot Dip Galvanized Cast Iron)	
	5 Inch Bolt Circle (Hot Dip Galvanized Cast Iron)	
Material	19	
	2.5 Inches	20 kg
	44 lbs	18 Per Crate
Dimensional Values		
Height (L):	45.0 in	1143 mm
Rubber Length (X):	37.0 in	940 mm
Shed Diameter (B):	7.7 in	196 mm
Shed Spacing (S):	2.0 in	51 mm
Dry Arc Distance:	40.9 in	1039 mm
Leakage Distance:	118.7 in	3015 mm

Electrical Values		
Low Freq. dry Flashover:	392 kV	Min. Withstand 368 kV
Low Freq. Wet Flashover:	363 kV	Min. Withstand 285 kV
Positive CIFO:	610 kV	Min. Withstand 550 kV
Max RIV @ 1 MHz. Low-freq. test voltage	73kV	200 μV

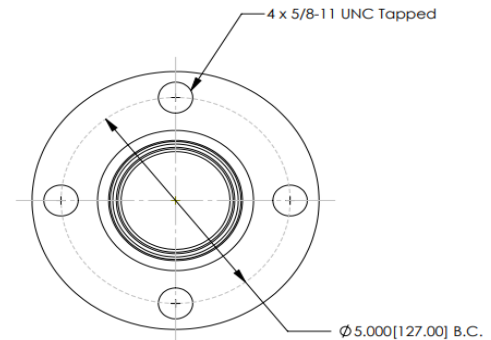
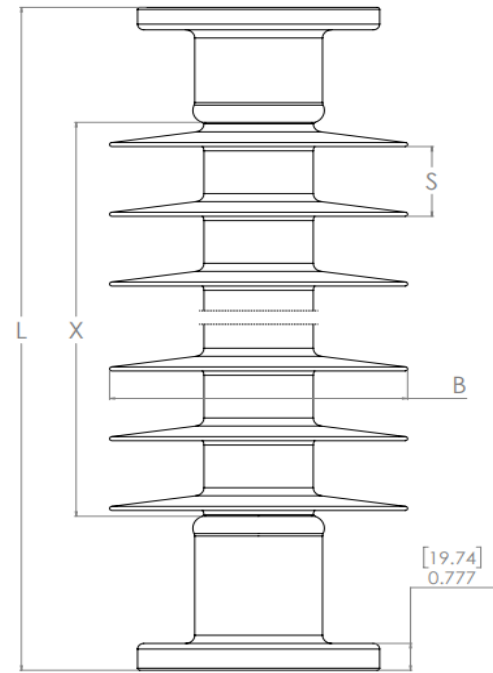
Mechanical Values		
Specified Cant. Load (SCL):	3,900 lbs	17.3 kN
Max. Design Cant. Load (MDCL):	1,950 lbs	8.7 kN
Specified Tensile Load (STL):	17,500 lbs	78 kN
Specified Compression Strength	17,500 lbs	78 kN
Deflection at 680 lbs* (3.0kN)	1.1 in	28 mm
Specified Torsional Strength	32,000 In-lbs	3,615 Nm

Dimension: inches [millimeters]

NOTE: Drawing not actual depiction of insulator appearance

Silicone Rubber, Sheath, & Dimensions comply with
ANSI C29.19 and CSA C156.2.

This drawing contains confidential information that is the property of MacLean Power, L.L.C. ("MacLean"). Use of MacLean's confidential information without MacLean's express written consent is strictly prohibited and may expose you to legal liability. If you believe that you received this material in error, please destroy it or return it to "MacLean Power, L.L.C., 7801 Park Place Rd., York, South Carolina 29745, USA."



*Deflection values based on working load of porcelain