



MacLean Power Systems
7801 Park Place Rd., York, SC 29745 USA (803)
628-2100

MPS Catalog Number
Date 9/24/2025
Revision: C

P2 53 53 070 BB SS 033

BIL Rating: 900 kV TR304P

End Fittings

Top End Fitting: 5 Inch Bolt Circle (Hot Dip Galvanized Cast Iron)
Bottom End Fitting: 5 Inch Bolt Circle (Hot Dip Galvanized Cast Iron)

Material

Number of Sheds: 33
Rod Diameter: 2.5 Inches
Weight Estimate: 79 lbs 36 kg
Packaging: 21 Per Crate

Dimensional Values

Height (H): 80.0 in 2032 mm
Shed Diameter (B): 7.5 in 191 mm
Shed Spacing (S): 2.0 in 51 mm
Dry Arc Distance: 71.2 in 1808 mm
Leakage Distance: 216.2 in 5491 mm

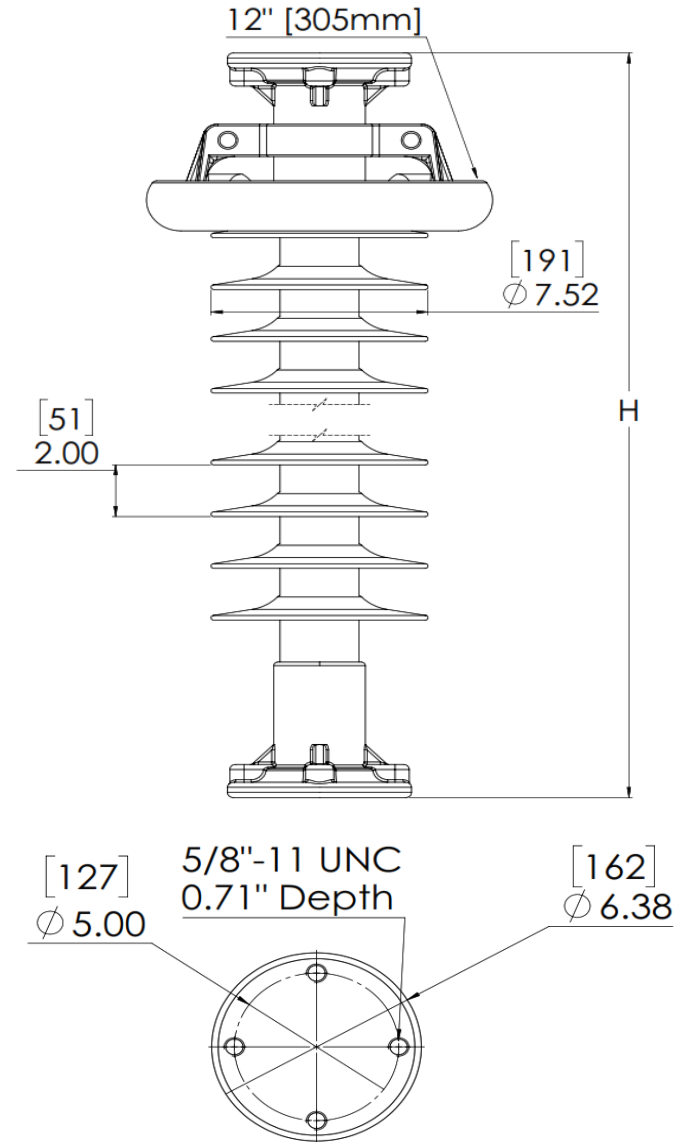
Electrical Values

Low Freq. dry Flashover:	657 kV	Min. Withstand	617 kV
Low Freq. Wet Flashover:	601 kV	Min. Withstand	484 kV
Positive CIFO:	1151 kV	Min. Withstand	1016 kV
Negative CIFO:	1184 kV	Min. Withstand	1064 kV
Max RIV @ 1 MHz. Low-freq. test voltage	146kV		500 μV

Mechanical Values

Specified Cant. Load (SCL):	2,000 lbs	8.9 kN
Max. Design Cant. Load (MDCL):	1,000 lbs	4.4 kN
Specified Tensile Load (STL):	17,500 lbs	78 kN
Compression Strength	17,500 lbs	78 kN
Deflection at 380 lbs. (1.7kN)	5.0 in	127 mm
Torsional Strength	32,000 In-lbs	3,615 m.N

Deflection values based on working load of porcelain



Dimension: inches [millimeters]

NOTE: Drawing not actual depiction of insulator appearance

Silicone Rubber, Sheath, & Dimensions comply with ANSI C29.19 and CSA C156.2.

This drawing contains confidential information that is the property of MacLean Power, L.L.C. ("MacLean"). Use of MacLean's confidential information without MacLean's express written consent is strictly prohibited and may expose you to legal liability. If you believe that you received this material in error, please destroy it or return it to "MacLean Power, L.L.C., 7801 Park Place Rd., York, South Carolina 29745, USA."