



MacLean Power Systems  
7801 Park Place Rd., York, SC 29745 USA (803) 628-2100

MPS Catalog Number  
Date 6/18/2025  
Revision: C

**P4 50 50 018 MX SS 011**  
**Dimensions acc. To ANSI C29.19**  
BIL Rating: 350 kV TR279P

**End Fittings**  
Top End Fitting: 5 Inch Bolt Circle (Hot Dip Galvanized Cast Iron)  
Bottom End Fitting: 5 Inch Bolt Circle (Hot Dip Galvanized Cast Iron)

**Material**  
Number of Sheds: 11  
Rod Diameter: 3.5 Inches  
Weight Estimate: 53 lbs 24 kg  
Packaging: 15 Per Crate

**Dimensional Values**

Height (L):	30.0 in	762 mm
Rubber Length (X):	18.2 in	462 mm
Shed Diameter (B):	8.0 in	203 mm
Shed Spacing (S):	1.7 in	43 mm
Dry Arc Distance:	20.7 in	526 mm
Leakage Distance:	62.0 in	1575 mm

**Electrical Values**

Low Freq. dry Flashover:	235 kV	Min. Withstand	210 kV
Low Freq. Wet Flashover:	180 kV	Min. Withstand	145 kV
Positive CIFO:	356 kV	Min. Withstand	317 kV
Max RIV @ 1 MHz. Low-freq. test voltage	44kV		200 μV

**Mechanical Values**

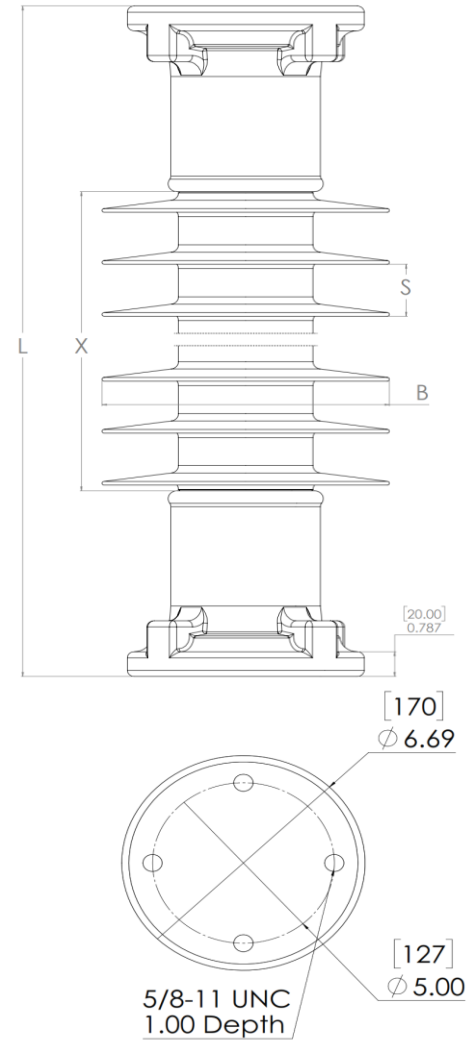
Specified Cant. Load (SCL):	14,000 lbs	62.3 kN
Max. Design Cant. Load (MDCL):	7,000 lbs	31.1 kN
Specified Tensile Load (STL):	25,000 lbs	111 kN
Specified Compression Strength	25,000 lbs	111 kN
Deflection at 1200 lbs* (5.3kN)	.2 in	5 mm
Specified Torsional Strength	54,000 In-lbs	6,101 Nm

Dimension: inches [millimeters]

NOTE: Drawing not actual depiction of insulator appearance

This drawing contains confidential information that is the property of MacLean Power, L.L.C. ("MacLean"). Use of MacLean's confidential information without MacLean's express written consent is strictly prohibited and may expose you to legal liability. If you believe that you received this material in error, please destroy it or return it to "MacLean Power, L.L.C., 7801 Park Place Rd., York, South Carolina 29745, USA."

Silicone Rubber, Sheath, & Dimensions comply with ANSI C29.19 and CSA C156.2.



\*Deflection values based on working load of porcelain