



MacLean Power Systems
7801 Park Place Rd., York, SC 29745 USA (803) 628-2100

MPS Catalog Number
Date 6/18/2025
Revision: C

P4 50 50 042 MX SS 026
Dimensions acc. To ANSI C29.19
BIL Rating: 650 kV TR289P

End Fittings
Top End Fitting: 5 Inch Bolt Circle (Hot Dip Galvanized Cast Iron)
Bottom End Fitting: 5 Inch Bolt Circle (Hot Dip Galvanized Cast Iron)

Material
Number of Sheds: 26
Rod Diameter: 3.5 Inches
Weight Estimate: 77 lbs 35 kg
Packaging: 15 Per Crate

Dimensional Values
Height (L): 54.0 in 1372 mm
Rubber Length (X): 42.2 in 1072 mm
Shed Diameter (B): 8.0 in 203 mm
Shed Spacing (S): 1.7 in 43 mm
Dry Arc Distance: 45.2 in 1148 mm
Leakage Distance: 141.7 in 3599 mm

Electrical Values
Low Freq. dry Flashover: 435 kV
Low Freq. Wet Flashover: 380 kV
Positive CIFO: 710 kV
Max RIV @ 1 MHz. Low-freq. test voltage 88kV
Min. Withstand 390 kV
Min. Withstand 275 kV
Min. Withstand 650 kV
200 μV

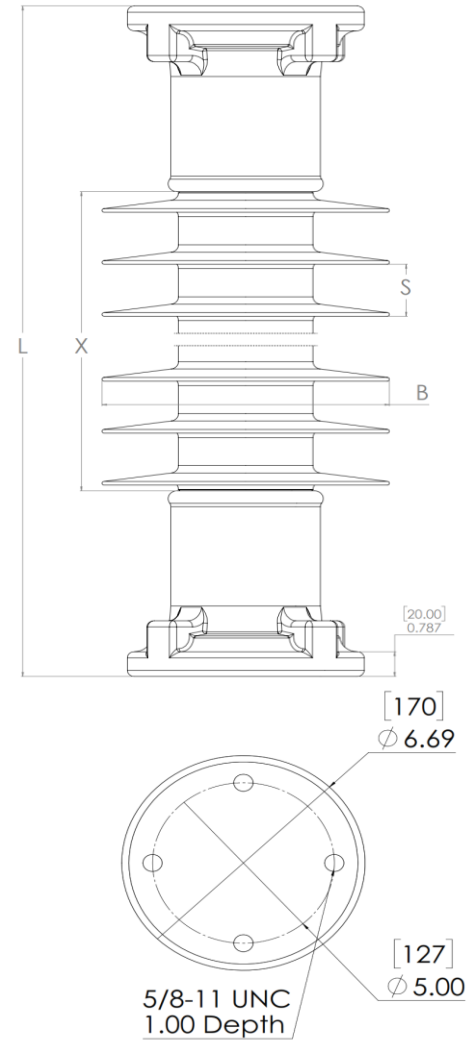
Mechanical Values
Specified Cant. Load (SCL): 7,600 lbs 33.8 kN
Max. Design Cant. Load (MDCL): 3,800 lbs 16.9 kN
Specified Tensile Load (STL): 25,000 lbs 111 kN
Specified Compression Strength 25,000 lbs 111 kN
Deflection at 560 lbs* (2.5kN) .7 in 18 mm
Specified Torsional Strength 54,000 In-lbs 6,101 Nm

Dimension: inches [millimeters]

NOTE: Drawing not actual depiction of insulator appearance

This drawing contains confidential information that is the property of MacLean Power, L.L.C. ("MacLean"). Use of MacLean's confidential information without MacLean's express written consent is strictly prohibited and may expose you to legal liability. If you believe that you received this material in error, please destroy it or return it to "MacLean Power, L.L.C., 7801 Park Place Rd., York, South Carolina 29745, USA."

Silicone Rubber, Sheath, & Dimensions comply with ANSI C29.19 and CSA C156.2.



*Deflection values based on working load of porcelain