



MacLean Power Systems
7801 Park Place Rd., York, SC 29745 USA (803) 628-2100

MPS Catalog Number
Date 10/17/2024
Revision: A

P4 50 50 110 AB SS 044
Dimensions acc. To ANSI C29.19
BIL Rating: 1470 kV TR330

End Fittings
Top End Fitting: 5 Inch Bolt Circle (Hot Dip Galvanized Cast Iron)
Bottom End Fitting: 12 Inch Corona Ring
5 Inch Bolt Circle (Hot Dip Galvanized Cast Iron)

Material
Number of Sheds: 44
Rod Diameter: 3.5 Inches
Weight Estimate: 153 lbs 69 kg
Packaging: 12 Per Crate

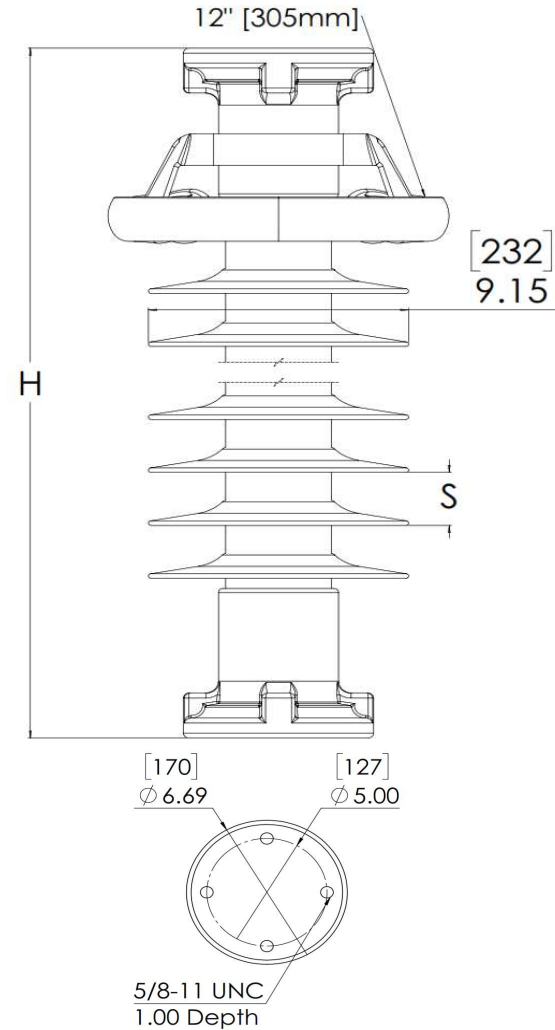
Dimensional Values
Height (L): 122.0 in 3099 mm
Rubber Length (X): 110.0 in 2794 mm
Shed Diameter (B): 9.2 in 234 mm
Shed Spacing (S): 2.5 in 64 mm
Dry Arc Distance: 110.7 in 2812 mm
Leakage Distance: 310.0 in 7874 mm

Electrical Values
Low Freq. dry Flashover: 987 kV Min. Withstand 926 kV
Low Freq. Wet Flashover: 852 kV Min. Withstand 722 kV
Positive CIFO: 1734 kV Min. Withstand 1523 kV
Max RIV @ 1 MHz. Low-freq. test voltage 220kV 1000 μV

Mechanical Values
Specified Cant. Load (SCL): 3,154 lbs 14. kN
Max. Design Cant. Load (MDCL): 1,577 lbs 7.0 kN
Specified Tensile Load (STL): 25,500 lbs 113 kN
Specified Compression Strength: 25,500 lbs 113 kN
Deflection at 360 lbs* (5.4kN): 5.4 in 137 mm
Specified Torsional Strength: 50,000 In-lbs 5,649 Nm

Dimension: inches [millimeters] Silicone Rubber, Sheath, & Dimensions comply with
NOTE: Drawing not actual depiction of insulator appearance ANSI C29.19 and CSA C156.2.

This drawing contains confidential information that is the property of MacLean Power, L.L.C. ("MacLean"). Use of MacLean's confidential information without MacLean's express written consent is strictly prohibited and may expose you to legal liability. If you believe that you received this material in error, please destroy it or return it to "MacLean Power, L.L.C., 7801 Park Place Rd., York, South Carolina 29745, USA."



*Deflection values based on working load of porcelain