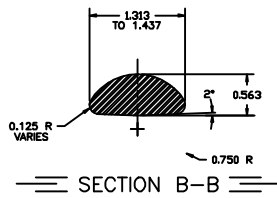
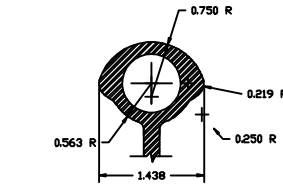


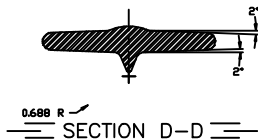
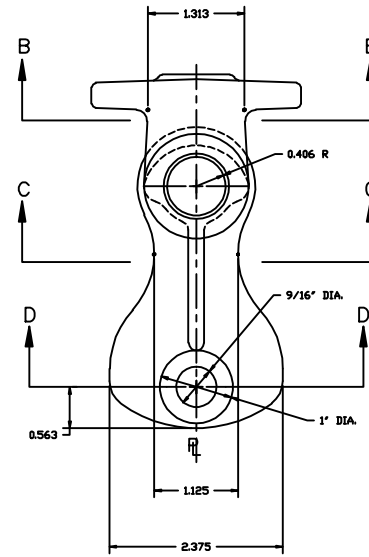
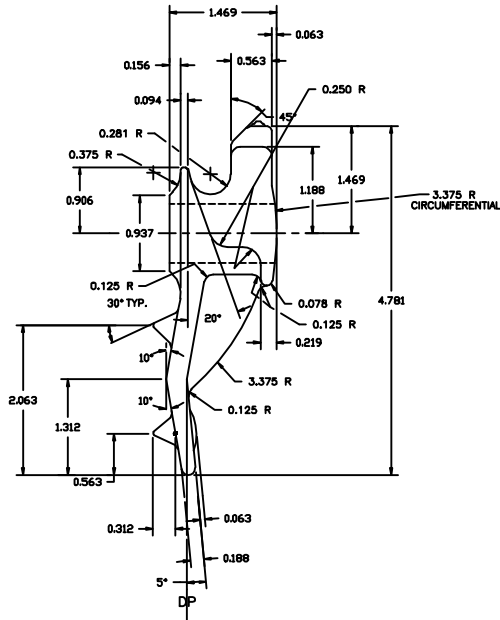
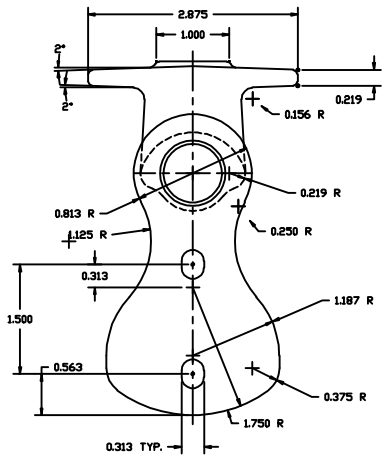
SECTION A-A



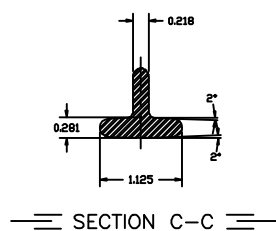
SECTION B-B



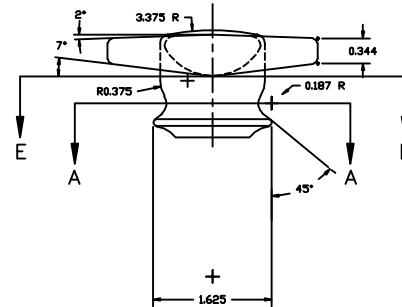
SECTION E-E



SECTION D-D



SECTION C-C



NOTES:

- 1.0 MASTER PATTERN
- 1.1 MATERIAL - MAHAGONY OR APPROVED EQUAL.
- 1.2 RADII - 0.062" UNLESS NOTED.
- 1.3 SHRINK SCALE - 0.188" PER FT.
- 1.4 DRAFT - 2° UNLESS NOTED.
- 1.5 TOLERANCE - LINEAR ±0.015 / ANGULAR ±0.5 UNLESS NOTED.
- 1.6 MARKINGS - 0.250" RAISED CHARACTERS UNLESS NOTED.
- 2.0 CASTINGS
- 2.1 MATERIAL - DUCTILE IRON GRADE 654512.
- 2.2 TOLERANCE - STANDARD CASTING TOLERANCE.
- 3.0 FINISH
- 3.1 HOT DIP GALVANIZE PER ASTM-A-153 LATEST ISSUE.
- 3.2 MACHINE DIMENSIONS ARE INDICATED BY BOXES.
- 3.3 MACHINE TOLERANCES = ±0.010 UNLESS OTHERWISE NOTED.
- 4.0 DIMENSIONS IN INCHES.

REV.	DATE	DESCRIPTION	BY
1	3-21-58	ISSUED IN ADD.	ML
CONTINENTAL ELECTRIC CO. BIRMINGHAM, ALABAMA			
DESIGNER	APPROVED BY	SCALE	NONE
LMW	CHERRY		
CATALOG NO. GAD-564 GUT ATTACHMENT DEVICE			
DATE	DRAWING NO.	SHEET	R/1
3-8-54	PD-1021	1	

THIS INFORMATION IS CONFIDENTIAL AND IS THE PROPERTY OF CONTINENTAL ELECTRIC CO. IT IS TO BE KEPT SECRET AND NOT TO BE DISCLOSED TO ANY OTHER PERSON OR ORGANIZATION WITHOUT THE WRITTEN PERMISSION OF CONTINENTAL ELECTRIC CO. ANY UNAUTHORIZED DISCLOSURE OF THIS INFORMATION IS PROHIBITED AND WILL BE PROSECUTED TO THE FULL EXTENT OF THE LAW.