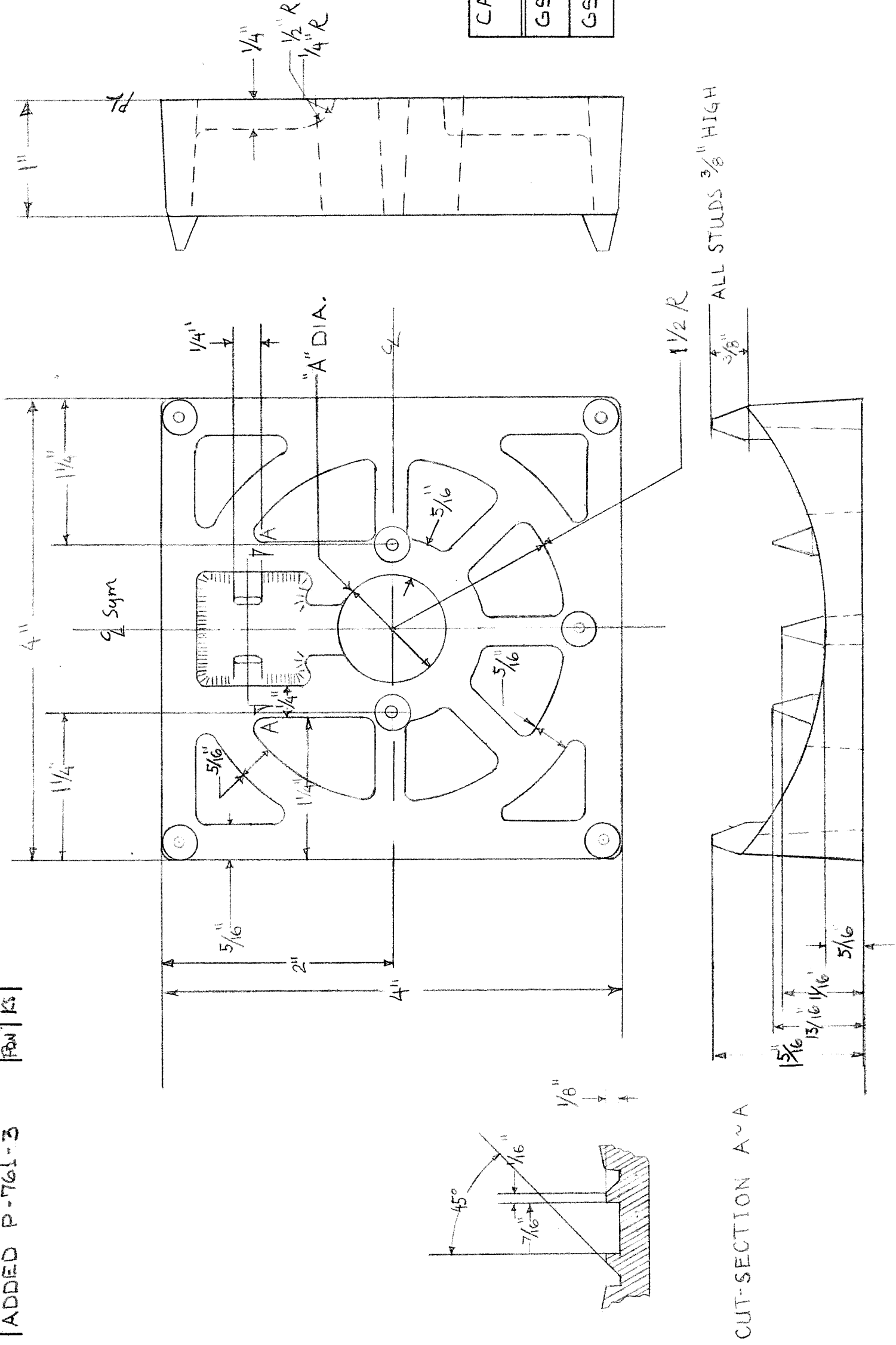


REVISIONS				
NO.	DATE	DESCRIPTION	BY	CKD
3	12-23-74	REVISED & REDRAWN	WL	
4	9-10-75	ENGR'D DWG. NO. WAS. MS. 743/LW		
5	2-5-85	ADDED P-761-3	FW	KS

- NOTES
1. DRAFT 3°
  2. ALL INTERNAL & EDGE RADII 3/16" UNLESS NOTED
  3. MATERIAL: A356 T6 ALUMINUM
  4. MARKING: BETHEA NATIONAL GSF-44 OSF P-761
  5. ALL STUDS 3/8" HIGH CIRCULAR WITH 5/16" DIA. BASE DRAFT TO 3/32" DIA. HEAD

CATALOG NUMBER	PART NUMBER	"A" DIA.
GSF-44-7	P-761-2	15/16"
GSF-44-8	P-761-3	1 1/16"



**BETHEA COMPANY, INC.**  
BIRMINGHAM, ALABAMA

SINGLE FACED GRID

CAT. NO. GSF-44-7 AND -8

DATE: 12-23-74 SCALE: Actual  
DWN. BY: J.M.A. C.KD. BY: J.M.A. APR. BY: J.M.A.  
NO. PB-761 SHEETS 2 OF 2

ENG. REF.