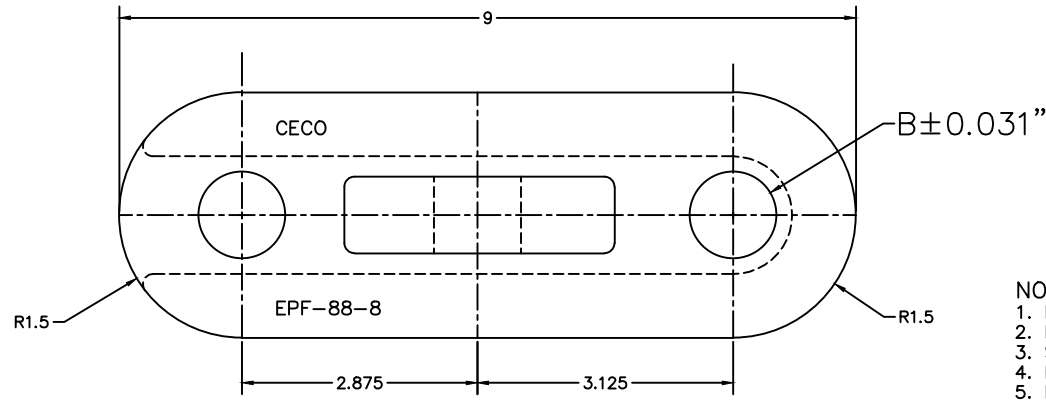
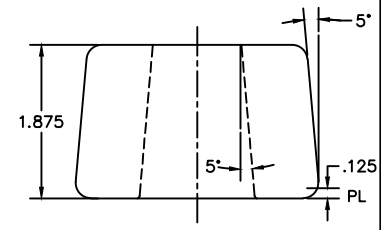
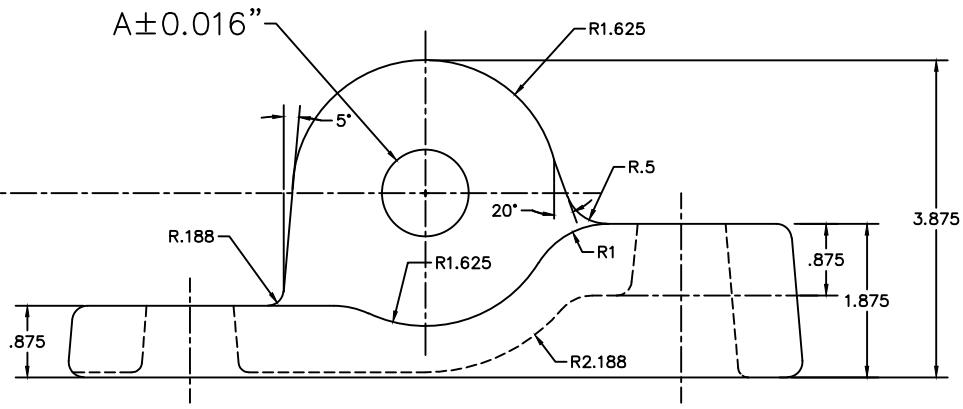
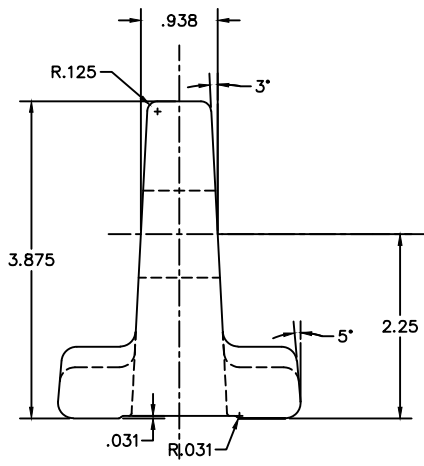


REVISIONS				
NO.	DATE	DESCRIPTION	BY	CKD
1	12/15/08	DRAWN IN CAD	BH	



- NOTES:
1. MATERIAL: DUCTILE IRON
 2. DRAFT: 3° (UNLESS NOTED)
 3. SHRINK: 1/8" PER FT
 4. RADII: 1/16" UNLESS NOTED.
 5. MARKING: AS SHOWN 1/4 LETTERS
 6. ESTIMATED WEIGHT: 7.90 LBS.



	A	B
EPF-88-7	0.9375	1.0630
EPF-88-8	1.0630	1.0630
EPF-99-8	1.0630	1.1875

This information is confidential and is the property of Maclean Power Systems. It may not be made public or reproduced except that the Customer may make copies for use solely in installation, maintenance, and operation of products supplied by Maclean Power Systems.

Maclean Power Systems
BIRMINGHAM, ALABAMA

DRAWN BY: BH APPROVED BY: SCALE: NONE
CHECKED BY:

EPF-88-8 POLE EYE PLATE
RATED: 60,000 LBS

DATE: 6-23-75 DRAWING NO. PC-691 SH: 1 OF 1 R/1