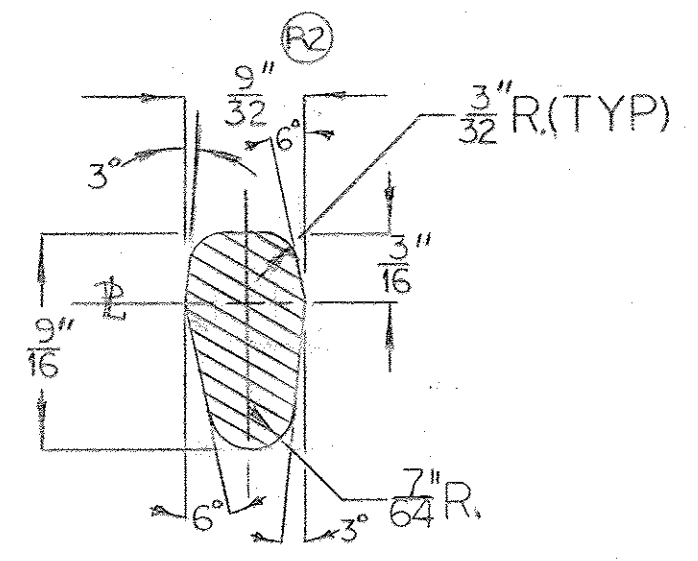
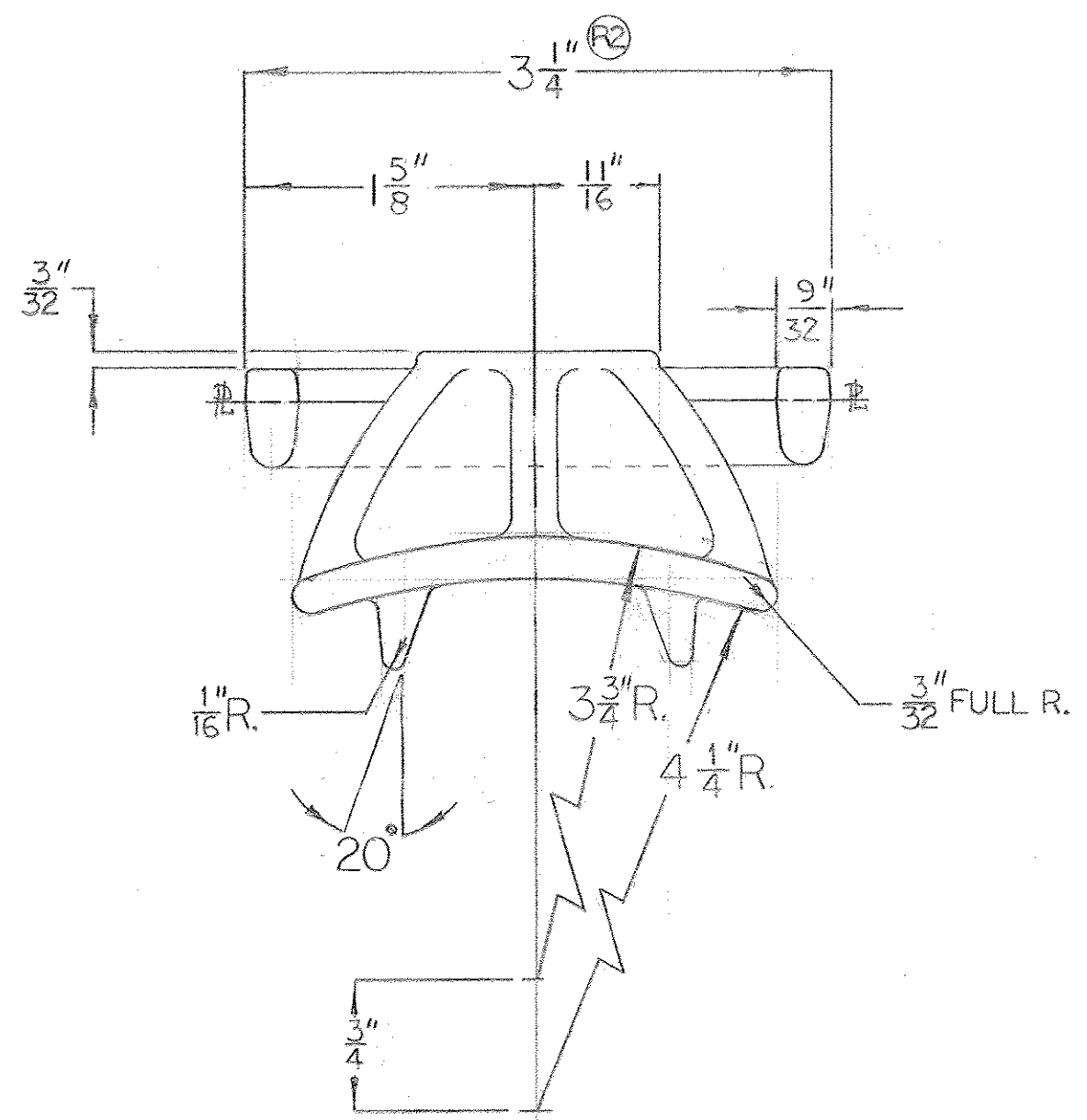
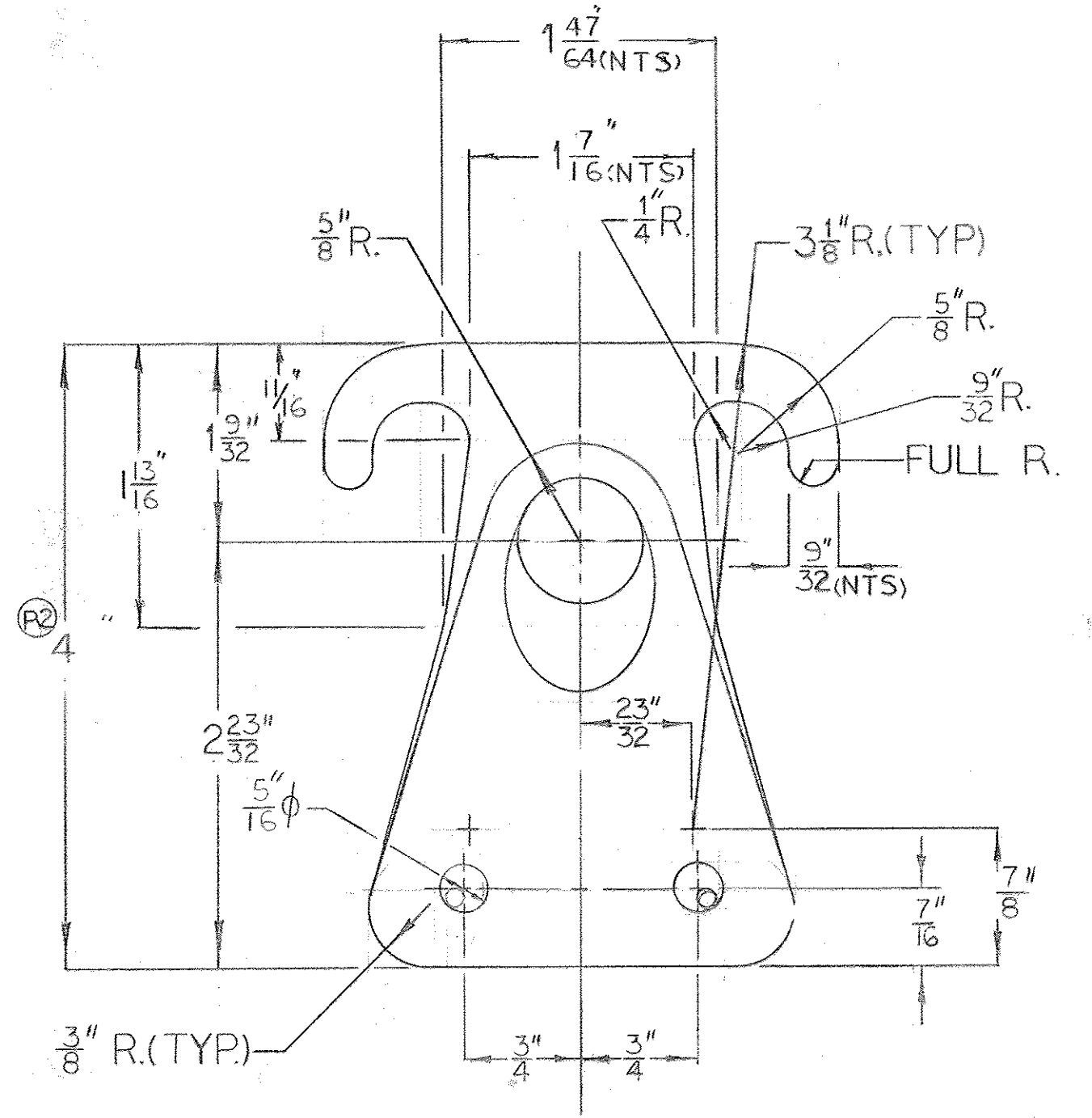
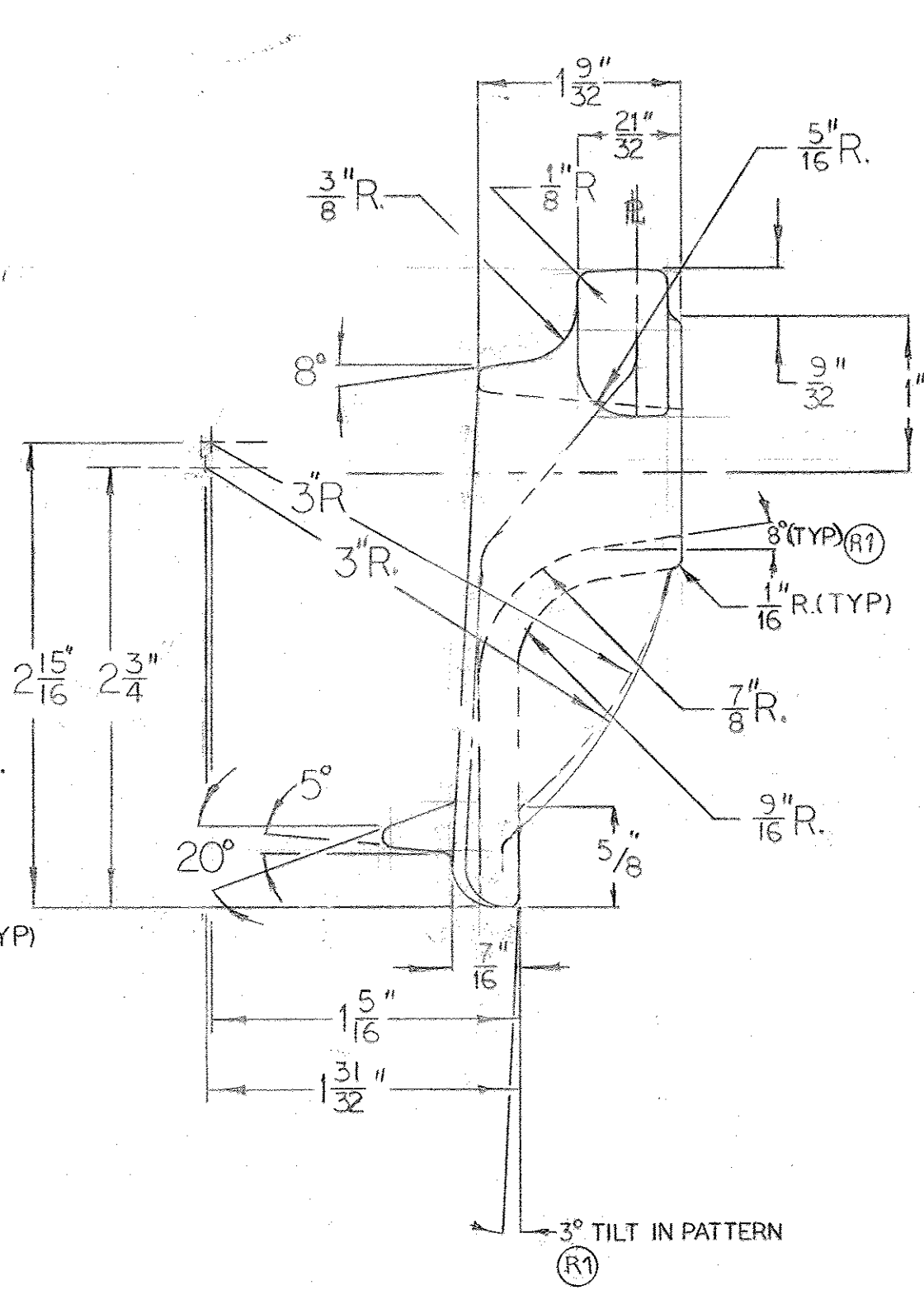
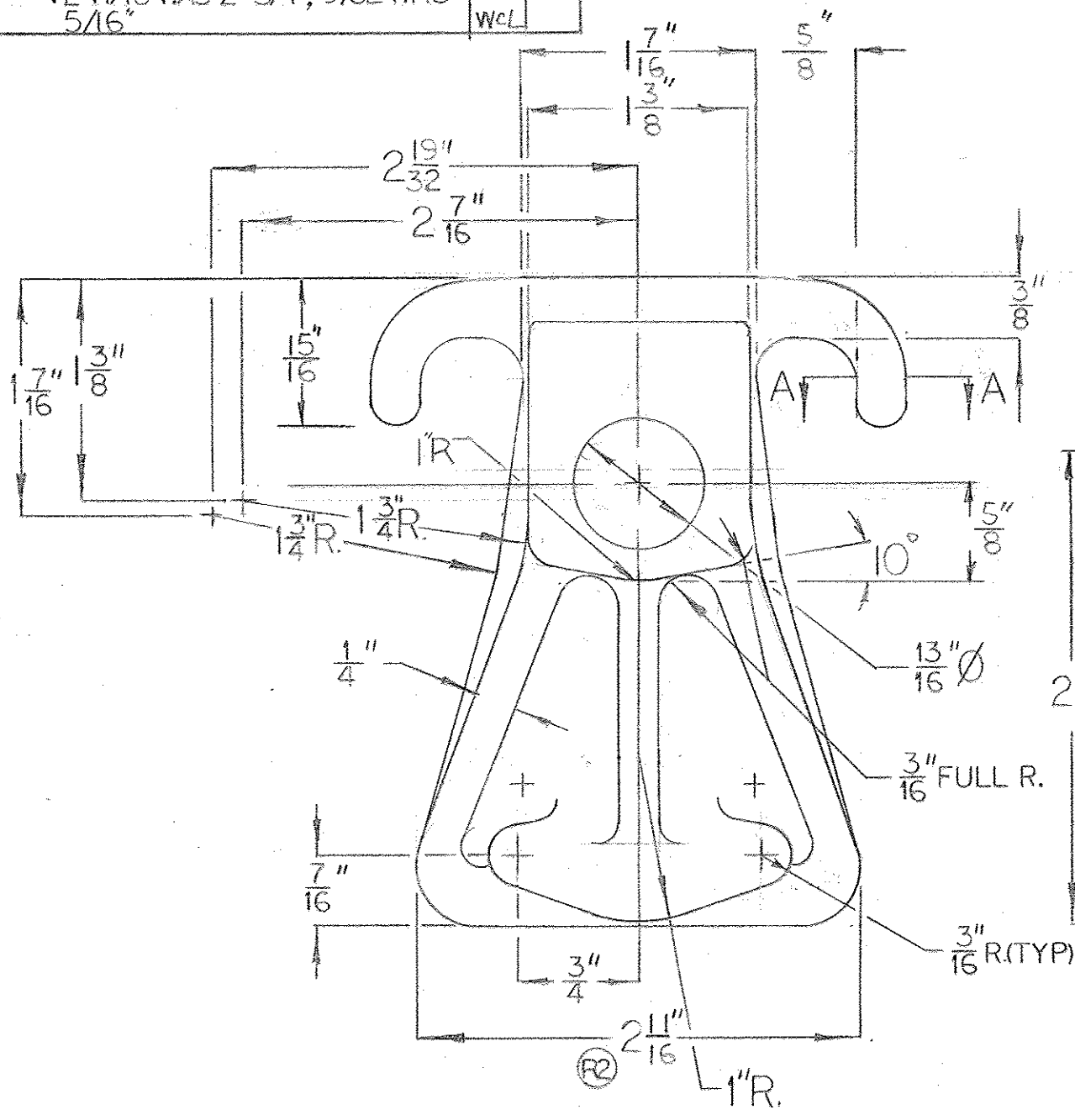


REVISIONS				
NO.	DATE	DESCRIPTION	BY	CKD
1	7-17-89	8° DRAFT WAS 5°; ADDED 3° TILT IN PATT.	JV	WCL
2	11-7-89	4" WAS 4 1/8", 3 1/4" WAS 3 5/16 2 11/16" WAS 2 3/4", 9/32 WAS 5/16"	WCL	



- NOTES
1. MATERIAL: ALUMINUM ALLOY, A356-T6
  2. DRAFT: 5° UNLESS NOTED
  3. RADII: 1/16" UNLESS NOTED
  4. SHRINK: 5/16" PER FOOT
  5. MARKING "BETHEA", "P-777-1", "AG-6X", PIECE NO., "MADE IN U.S.A."

**BETHEA ELECTRICAL PRODUCTS INC.**  
 PELHAM, ALABAMA

AG-6X  
 ATTACHMENT GUY

DATE: 7-11-86	SCALE: FULL	No. PC-777	R/2	SH. 2
DWN. BY: WCL	CKD. BY: WCL	APR. BY:	OF 2	

ENG. REF.