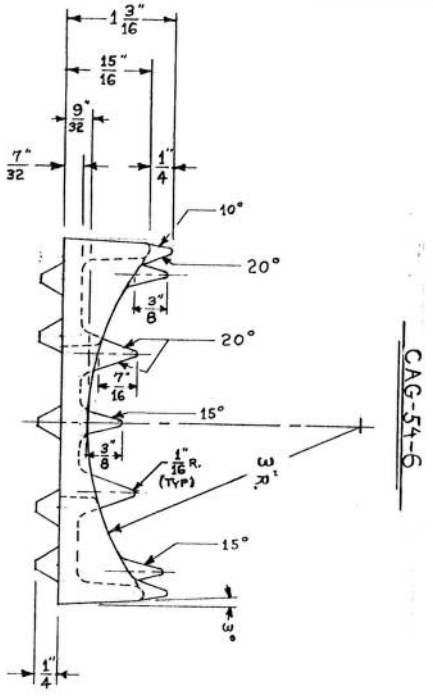
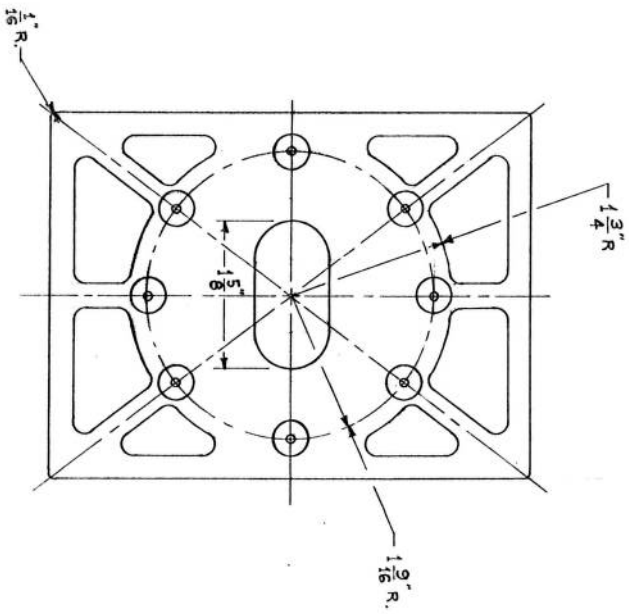
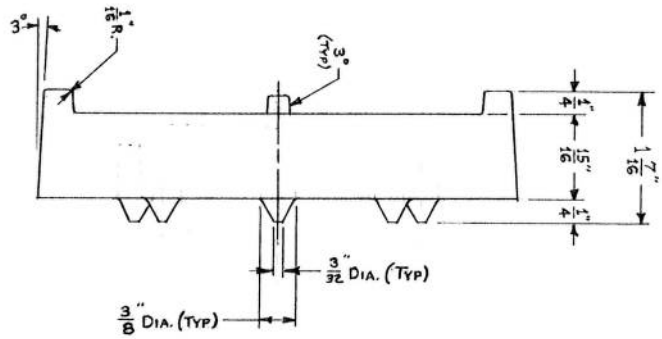
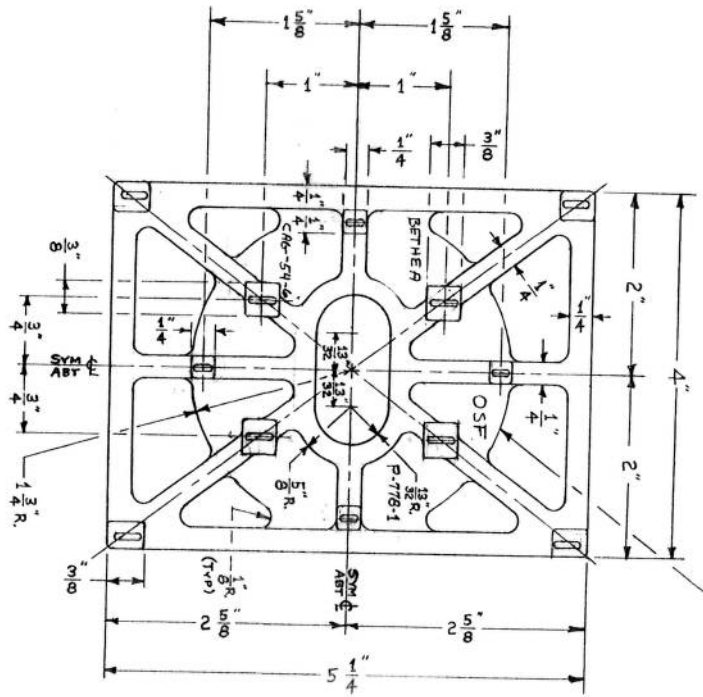


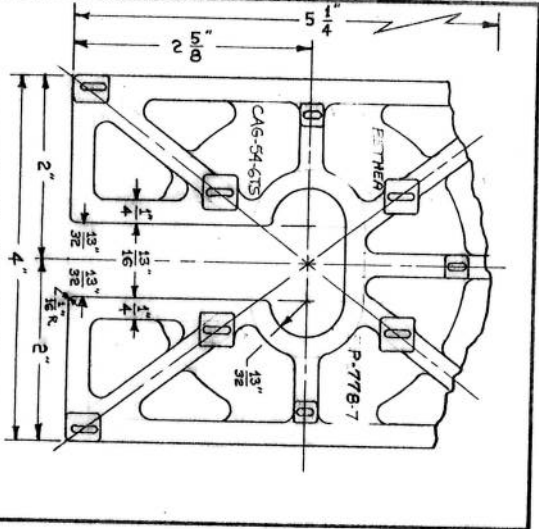
NO.	DATE	DESCRIPTION	BY	CRD
1	1-4-72	REVISED & REDRAWN	BC	VFP
2	2/14/75	PC-778 USE MFG-778 JUDGE FROM		
3	7-21-00	PART # FOR T-SLOT WAS	RS	

REVISIONS

FULL RADIUS FROM E ON  
EDGE OF WEG.



CAG-54-6



CAG-54-6(GTS)

(SAME AS P-778-1 EXCEPT FOR 'T' SLOT)

NOTES

- MAT'L - 356-76
- SHANK - 5/16" PER FOOT.
- DRAFT - 3% UNLESS NOTED OTHERWISE.
- MARKING - RAISED LETTERS.
  - BETHEA NATIONAL
  - CAG-54-6 (GTS) (GN)
  - OSF
  - P-778-1 (7) (IN)
- P-778-1N IS FOR CAG-54-6N - THE PART IS THE SAME AS P-778-1 WITH THE SPURS REMOVED FROM THE CURVED SURFACES.

**BETHEA COMPANY, INC.**  
BIRMINGHAM, ALABAMA

CROSSARM GAIN  
CAG-54-6(GTS) & GN

DATE: 8-31-74	SCALE: FULL	DRW'G BY: BC	CHK'G BY: RJA
DATE: 8-31-74	SCALE: FULL	DRW'G BY: BC	CHK'G BY: RJA
PC-778-1(7) R/3		or 3	