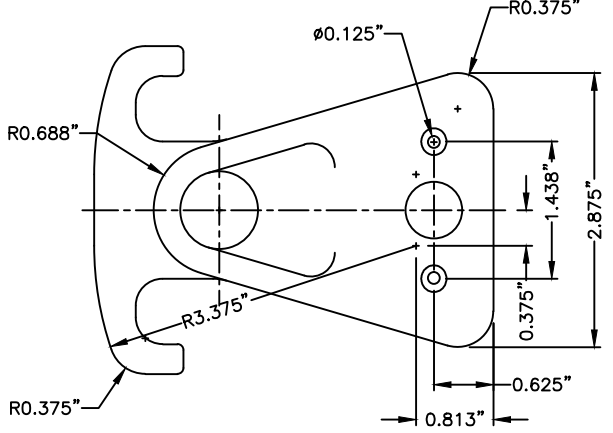
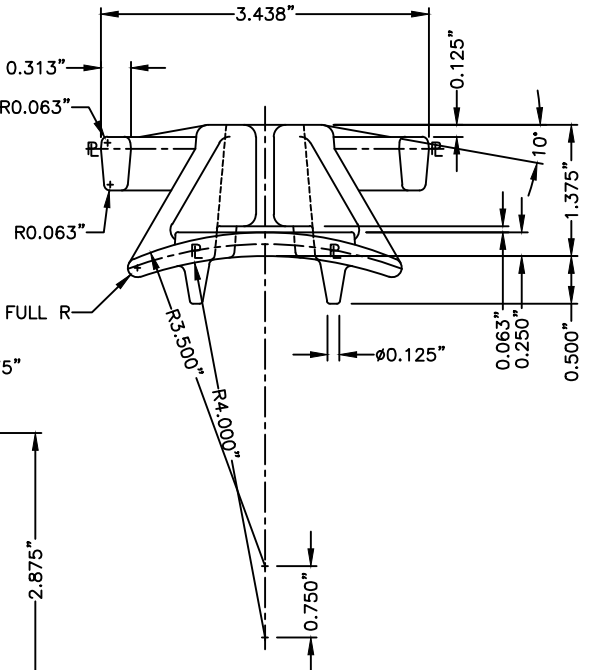
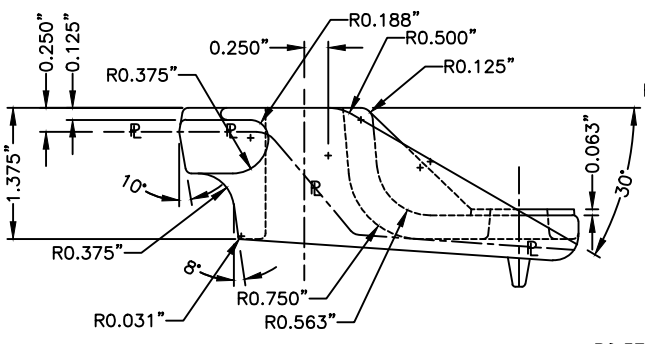
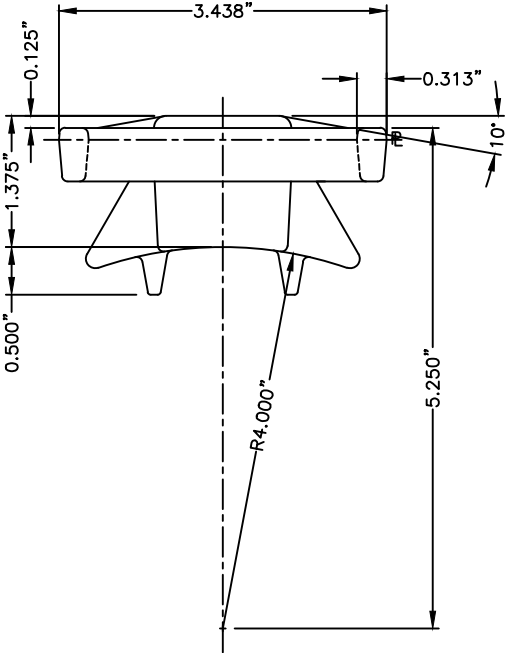
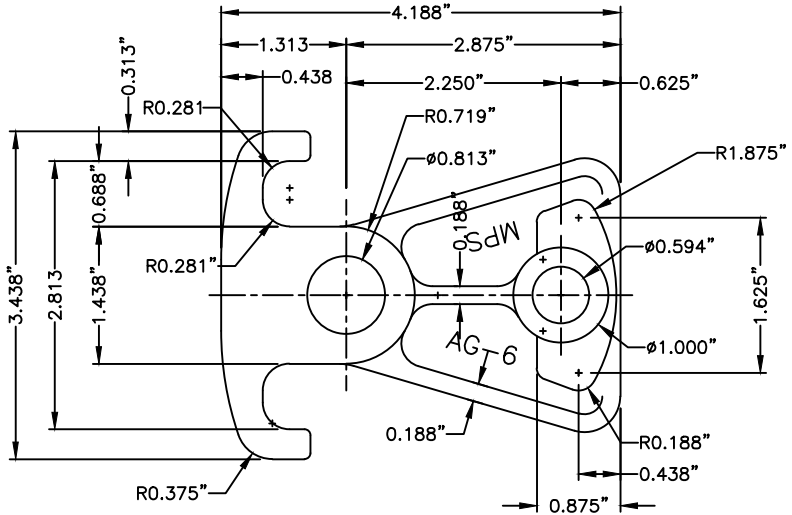


REVISIONS				
NO.	DATE	DESCRIPTION	BY	CKD
2	8/30/99	REDWN FOR ACAD, MATCHED PART	WDC	

- NOTES:
1. MATERIAL - A356-T6 ALUMINUM ALLOY.
 2. RADII - 0.063" UNLESS NOTED.
 3. DRAFT - 5° UNLESS NOTED.
 4. MARKING - AS SHOWN, 0.25" RAISED LETTERS.
 5. REMOVE ALL BURRS AND SHARP EDGES.
 6. WEIGHT EACH - 0.600 LBS.
 7. PART NO.- AG-6, F304603
 8. TILT PART 5° IN MOLD.



BETHEA POWER PRODUCTS		PELHAM, ALABAMA		A MacLean Power Systems Co.	
AG-6 (F304603) GUY HOOK CASTING DETAIL					
DATE: 8/7/73	SCALE: NTS	NO.	PC-782	R/	SH. 1
DRAWN: LB	CHKD: VEP	APPR: BR		2	OF 1

ENG. REF.