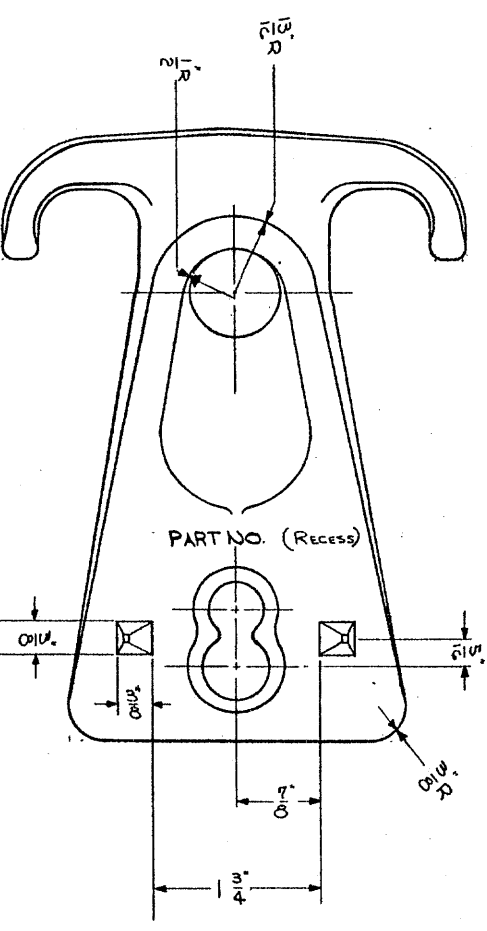
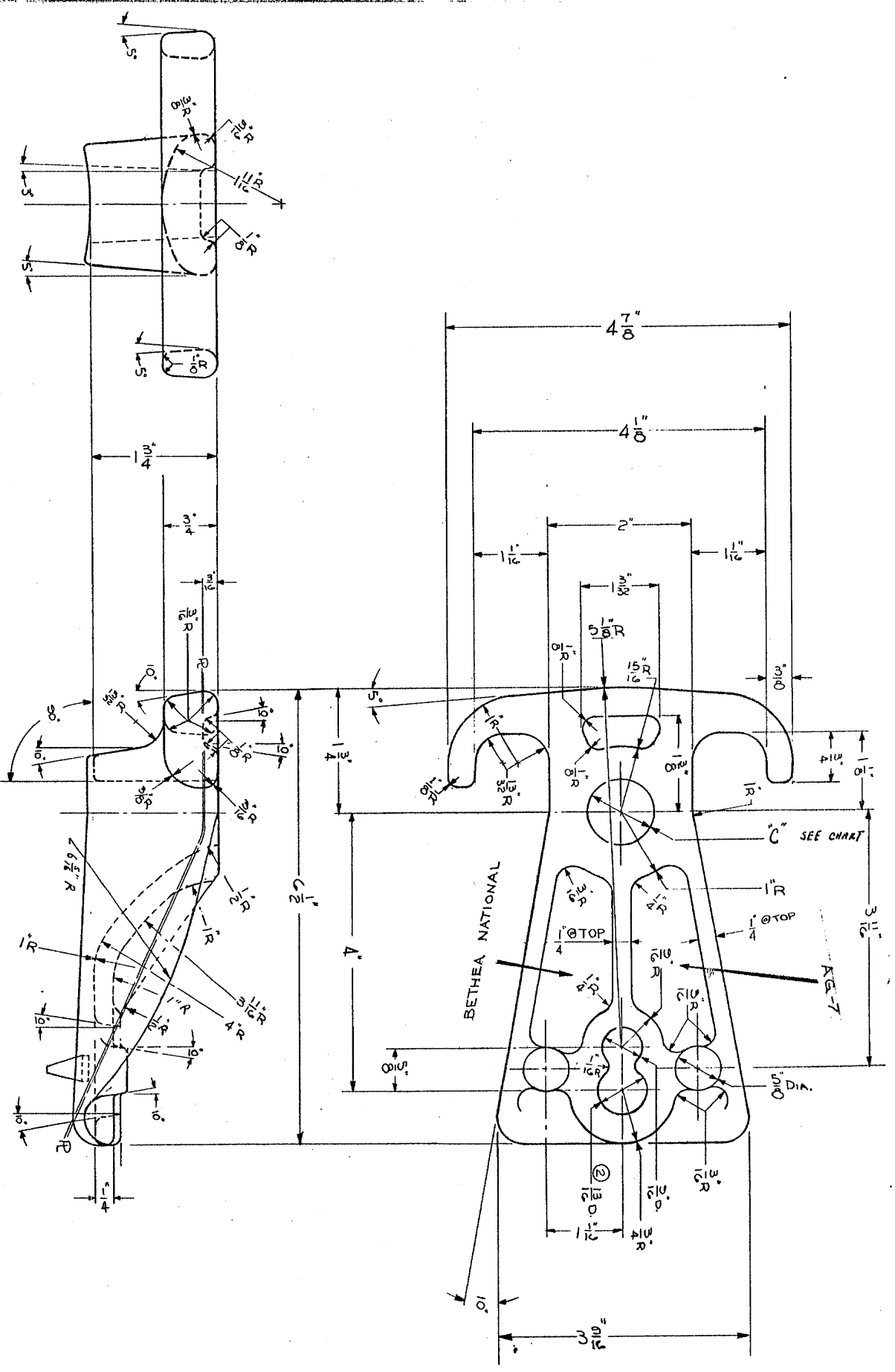


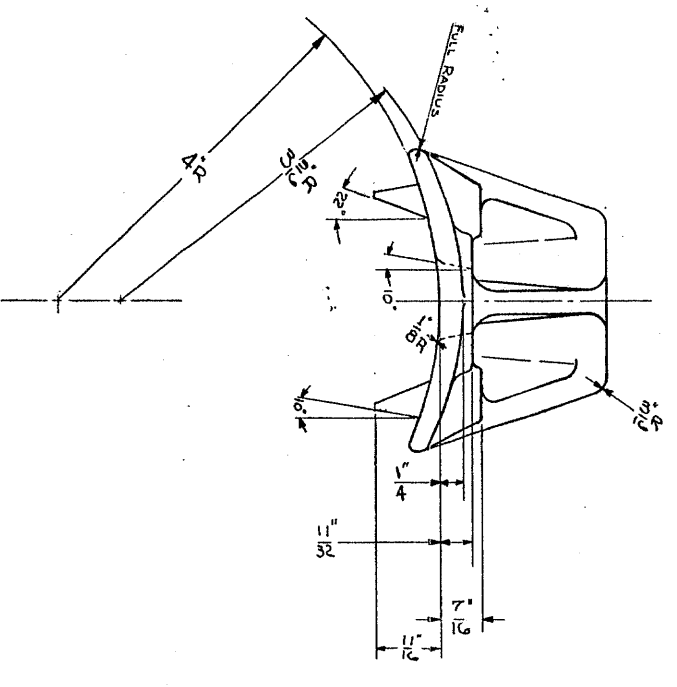
REVISIONS		
NO.	DATE	DESCRIPTION
1	7-13-74	GENERAL REVISION
2	5-6-75	3/16 WAS 1/16



- NOTES
- 1-MATERIAL: ALUMINUM ALLOY A356-T6
 - 2-DRAFT: 5° UNLESS NOTED
 - 3-SHRINK: 3/16" TO 1/2"
 - 4-RADI: 1/2" EXCEPT WHERE SHOWN
 - 5-MARKING: RAISED EXCEPT WHERE NOTED

CATALOG NO.	C DIMENSION INCHES
AG-7	3/16" DIA.
AG-8	1/16" DIA.

NOTE:
 PRODUCTION EQUIPMENT AS EXISTING HAS 15/16" DIA. HOLE FOR AG-7. REAM EXISTING 15/16" DIA. TO 1 1/16" DIA. TO OBTAIN AG-8.



BETHEA COMPANY, INC.
 BIRMINGHAM, ALABAMA

GUY HOOK ATTACHMENT - TYPE AG
 REDESIGN FOR ALUMINUM
 AG-7: P.784-1
 AG-8: P.784-2

DATE: 10-10-73 SCALE: 1/2" = 1"
 DWN. LB. CRO. APR. 87
 NO. PD-784-1 & 2 R/1 SH. 1 OF 1