

Date: 10/28/2024

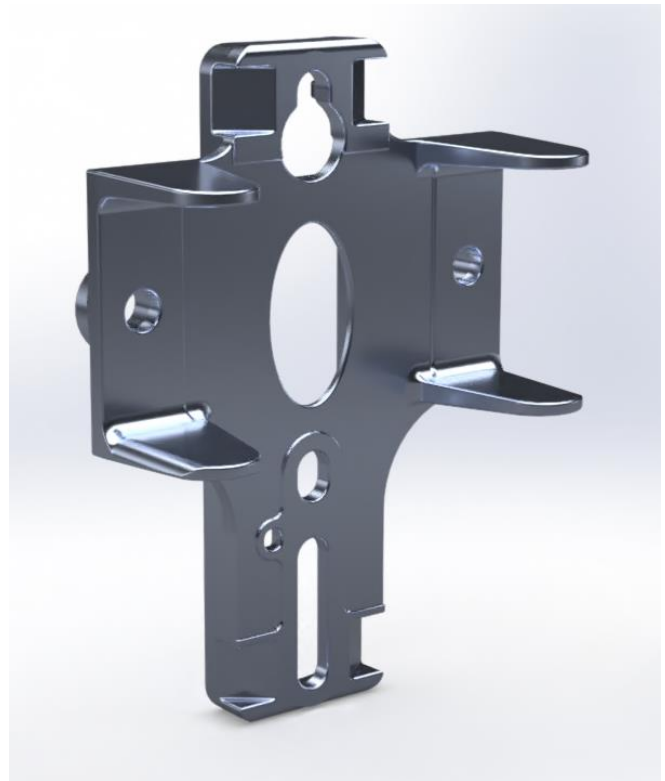
Page: 1 of 1

To our Valued Industry Partner,

Over the coming weeks, the center-mount for the UVMAXX™ Fiberglass Braceless Tangent crossarms will transition from its classic cantilevered mounting style to the patent-pending Tilt-resistant design.

What's Changing?

MPS Tilt-resistant center-mounts incorporate tabs into the casting above and below the bolt locations securing the fiberglass beam to the center-mount. These tabs offer additional reaction surfaces for the arm to brace against when experiencing asymmetric loading. The Tilt-Resistant center-mounts are replacing the heavy-duty tangent center-mounts found on both standard-duty PS and heavy-duty PW series tangent crossarms. No catalog numbers will be updated due to this change, so you may use the same CID and Catalog numbers to continue ordering your tangents. The light-duty tangent base of the PX series is not being updated at this time.



Why The Change?

This has to do with asymmetric load cases. These unbalanced loads apply significantly more stress to the arm as the mounting hardware resists the twisting action. Prior designs relied on two cantilevered bolts to support this reaction. In extreme cases, especially during the installation process, the arm can become damaged resulting in a tilt or lean. For instance, the mounting bolts and surrounding fiberglass will experience 12x the stress during the installation of a 10' tangent compared to a symmetrically loaded arm.

The Tilt-resistant design mitigates this by relieving stress on the bolts and bolt holes which prevents yielding of the bolt or damage to the fiberglass at these locations. This small design modification results in a 4x increase in asymmetric moment capacity.

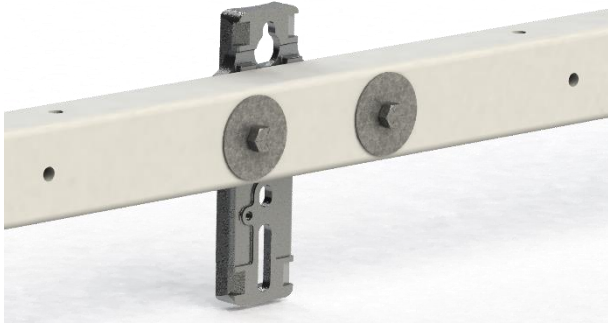
Table 1. Asymmetric load sample data for heavy tangents. 8' and 10' lengths

Specimen	Heavy Duty Tangents, PW Series	
	8' Ultimate Load, lbs	10' Ultimate Load, lbs
1	6168	5464
2	6250	5000
3	5766	5000
4	6746	6750
5	6521	4492
Rating	7200	5700
Avg. Strength Retention	87%	94%

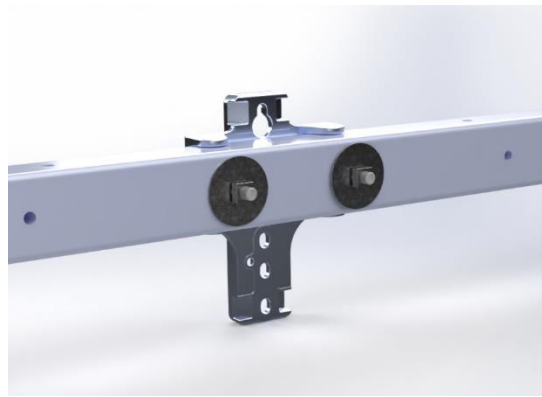
Additional Information

The Tilt-resistant center-mount retains all the benefits of the original casting, including:

- No Sharp edges or corners
- Light weight corrosion resistant structural aluminum
- Mounting spacing at 8" and 10-12"
- Keyhole slot for easy installation
- Integrated banding features
- Universal mount design for either round or polygonal poles
- 11/16" and 13/16" Mounting slots available



Classic cast center-mount design



New Tilt-Resistant 11/16" Mounting Design

Respectfully,

Philip Rollins
Product Manager – Fiberglass Crossarms