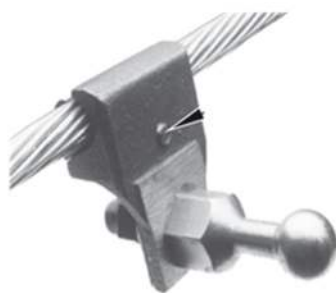


Grounding Connectors for Conductor or Tube



MacLean Power is updating the catalog number of grounding connectors for conductor/tube that will require our customers to update their system and orders to the new catalog number.

Reason for this action: MacLean has added capacity to improve lead times of these grounding connectors and an updated catalog number is required to trace the changeover.

Catalog numbers effected:

Old Catalog # New Catalog #

03-M-022-25	03-M-022A-25
03-M-023-25	03-M-023A-25
HC-10019-25	HC-10019A-25

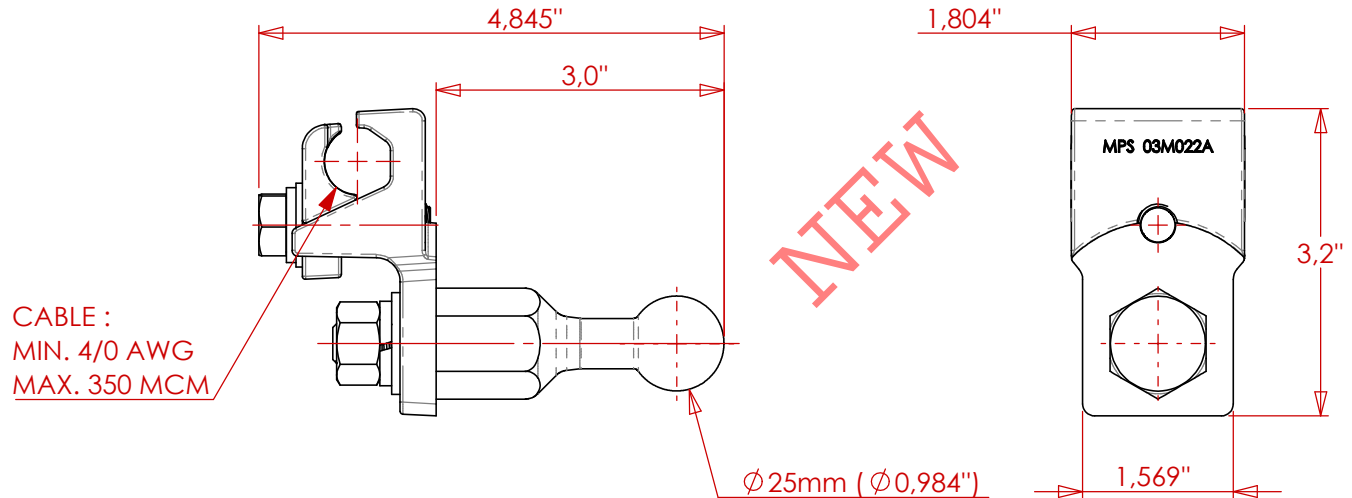
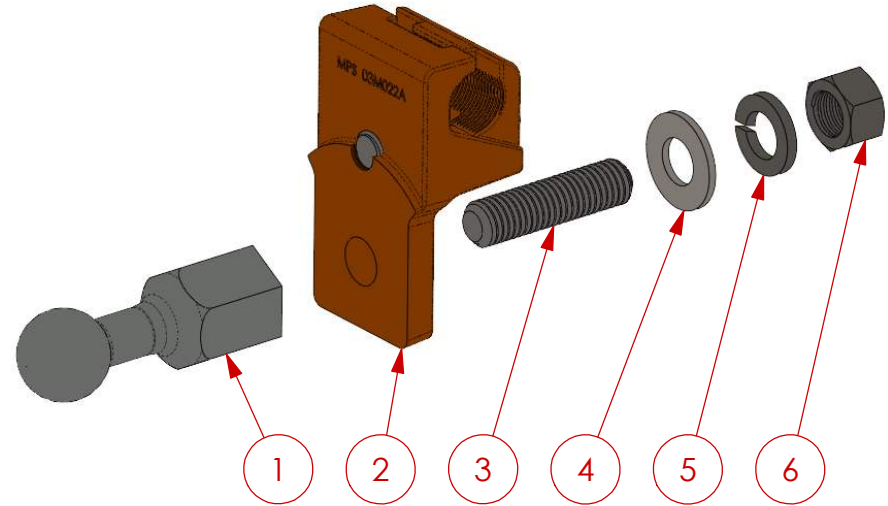
Applicable Q&A:

- **Question:** Has the current capacity or fault ratings changed? **Answer:** No. The connectors have been fault current tested and meet or exceed the same ratings and standards as before.
- **Question:** Has the function or dimensions changed? **Answer:** The function of the connectors is the same. There will be minor differences in size. Drawings of the effected connectors are available.
- **Question:** Are open orders effected by the change? **Answer:** Yes, it will be necessary to update some open orders to the new catalog number. MacLean Power Customer Account Specialists will reach out to those effected.

Please direct additional questions to your Customer Account Specialist at 855-MPS-SHIP.

Thank you,
Ron Kmiecik
Director of Product Management (Ph: 803-628-4366)

ITEM	DESCRIPTION	MATERIAL	QTY.
1	25MM GROUND BALLSTUD	COPPER C110-ETP TINNED 0.0003" BY MIL-T-10727 TYPE 1	1
2	GROUNDING CONNECTOR	UNS C83300 BRONZE	1
3	SET SCREW 1/2-13 X 2" LENGTH	STAINLESS STEEL 18-8	1
4	1/2" FLAT WASHER	STAINLESS STEEL 18-8, 304 GRADE	1
5	1/2" LOCK WASHER	STAINLESS STEEL 18-8, 304 GRADE	1
6	1/2"-13 HEX. NUT	STAINLESS STEEL 316	1



FEATURES:

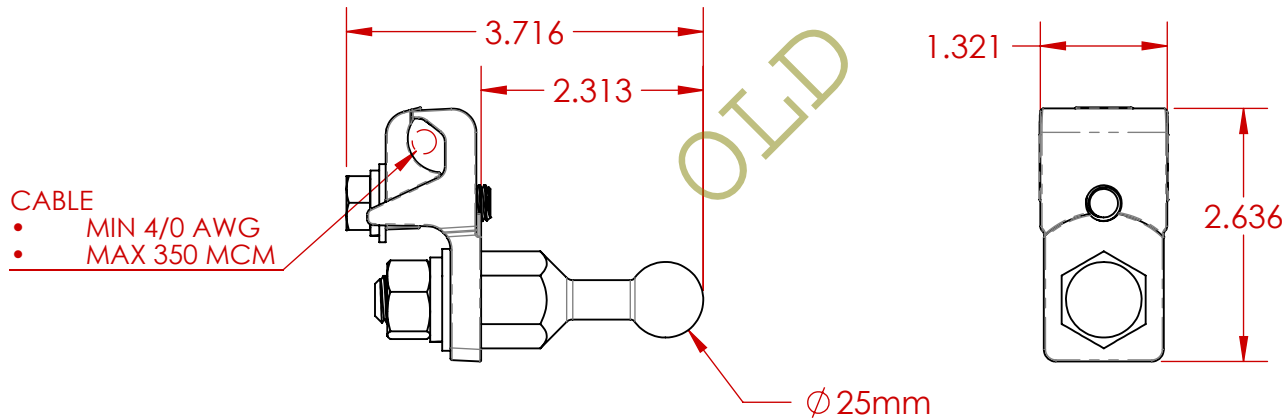
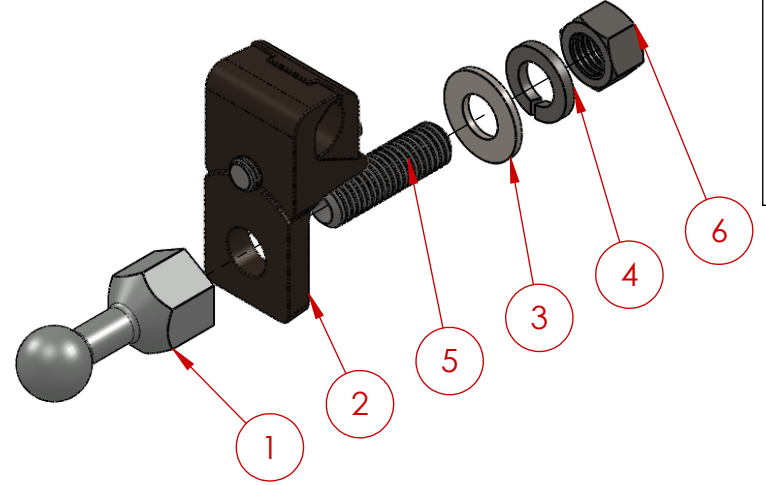
1. Permanent ball stud grounding connector to install on vertical riser tube, solid rod, or conductor for easy installation of temporary grounding sets
2. Qualification: 40.25kA - 17.25 cycles as per ASTM F855-19A
3. Stainless steel hardware included
4. Recommended installation torque: 22lb-ft

<p>UNLESS OTHERWISE SPECIFIED, ALL DIMENSIONS ARE IN INCHES</p> <p>TOLERANCES ARE:</p> <table border="1"> <tr> <td>.X</td> <td>± 0.031</td> </tr> <tr> <td>.XX</td> <td>± 0.010</td> </tr> <tr> <td>.XXX</td> <td>± 0.005</td> </tr> <tr> <td>ANGLES</td> <td>+/- 1°</td> </tr> </table>	.X	± 0.031	.XX	± 0.010	.XXX	± 0.005	ANGLES	+/- 1°	<p>225 Ford, Châteauguay (Qué.) Canada J6J 4Z2 Tel. (450) 698-0520 Fax: (450) 692-5670</p>	DESCRIPTION	DRAWN ON
	.X	± 0.031									
	.XX	± 0.010									
	.XXX	± 0.005									
ANGLES	+/- 1°										
25MM GROUNDING CONNECTOR, 4/0 @ 350 MCM	2023-11-29										
	PROJECT NUMBER										
	369										
		SAP	-								
SCALE	PAGE	PRODUCT NUMBER									
1:2	1 of 1	03-M-022A-25									

ITEM	DESCRIPTION	MATERIAL	QTY.
1	25MM GROUND BALLSTUD	COPPER C110-ETP TINNED 0,0003" BY MIL-T-10727 TYPE 1	1
2	GROUNDING CONNECTOR	CDA 833 BRONZE	1
3	1/2" FLAT WASHER	STAINLESS STEEL 18-8 304 GRADE	1
4	1/2" LOCK WASHER	STAINLESS STEEL 18-8 304 GRADE	1
5	SET SCREW 1/2-13 X 1.75" LENGTH	STAINLESS STEEL 18-8	1
6	1/2"-13 HEX. NUT	STAINLESS STEEL 316	1


REV.	DATE	DESCRIPTION	REQ.	BY
------	------	-------------	------	----

PART NUMBER
03-M-022-25

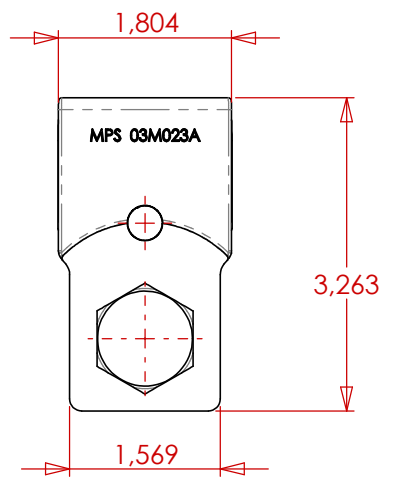
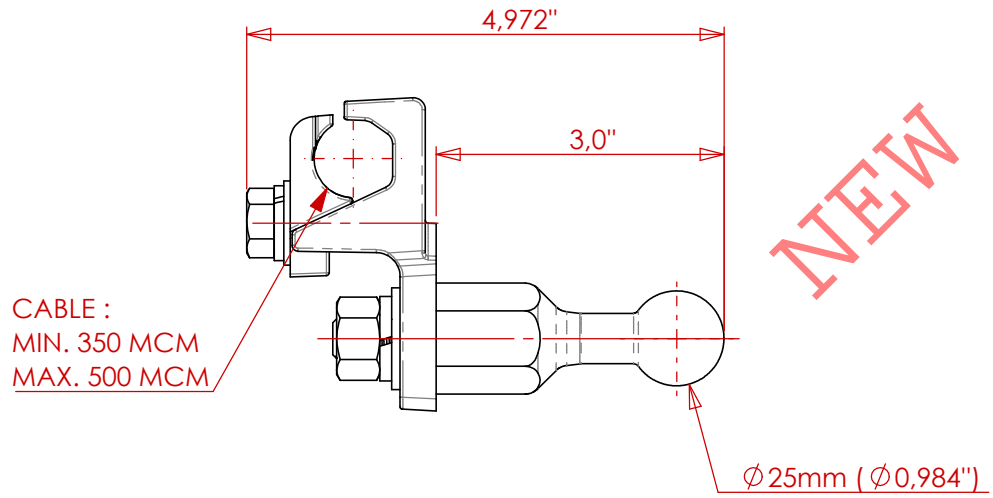
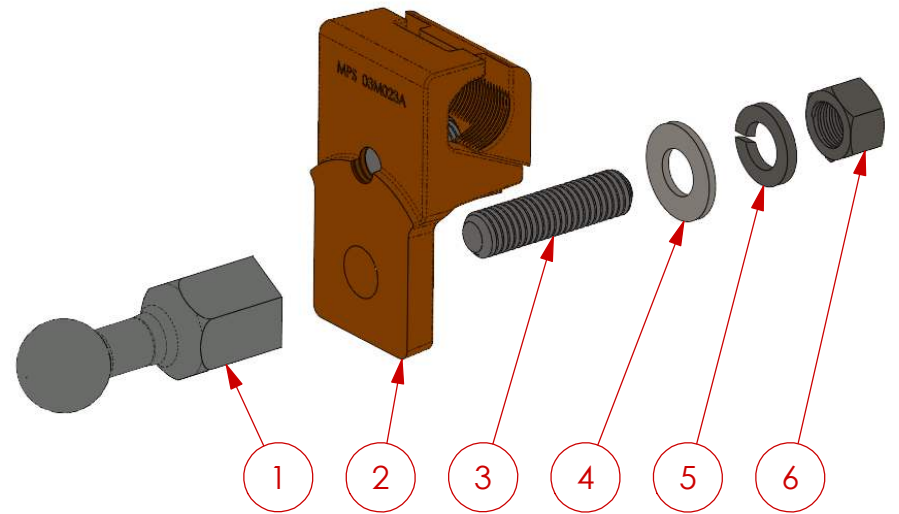


FEATURES:

1. Permanent ball stud grounding connector to install on vertical riser tube, solid rod, or conductor for easy installation of temporary grounding sets
2. Meets ASTM and IEC standards
3. Stainless steel hardware included
4. Recommended installation torque: 20lb-ft

UNLESS OTHERWISE SPECIFIED, ALL DIMENSIONS ARE IN INCHES		DESCRIPTION GROUNDING CONNECTOR		PROJECT NUMBER 2016-08-25
		TOLERANCES ARE:		PART NUMBER
.X	± 0.031	SCALE 1:2	PAGE 1 of 1	MATERIAL -
.XX	± 0.010			
.XXX	± 0.005	DRAWING NUMBER 03-M-022-25		
ANGLES	+/- 1°	225 Ford, Châteauguay (Qué.) Canada J6J 4Z2 Tel. (450) 698-0520 Fax: (450) 692-5670		

ITEM	DESCRIPTION	MATERIAL	QTY.
1	25MM GROUND BALLSTUD	COPPER C110-ETP TINNED 0.0003" BY MIL-T-10727 TYPE 1	1
2	GROUND CONNECTOR	UNS C83300 BRONZE	1
3	SET SCREW 1/2-13 X 2" LENGTH	STAINLESS STEEL 18-8	1
4	1/2" FLAT WASHER	STAINLESS STEEL 18-8, 304 GRADE	1
5	1/2" LOCK WASHER	STAINLESS STEEL 18-8, 304 GRADE	1
6	1/2"-13 HEX. NUT	STAINLESS STEEL 316	1



FEATURES:

1. Permanent ball stud grounding connector to install on vertical riser tube, solid rod, or conductor for easy installation of temporary grounding sets
2. Qualification: 40.25kA - 17.25 cycles as per ASTM F855-19A
3. Stainless steel hardware included
4. Recommended installation torque: 22lb-ft

UNLESS OTHERWISE SPECIFIED, ALL DIMENSIONS ARE IN INCHES	
TOLERANCES ARE:	
.X	± 0.031
.XX	± 0.010
.XXX	± 0.005
ANGLES	+/- 1°



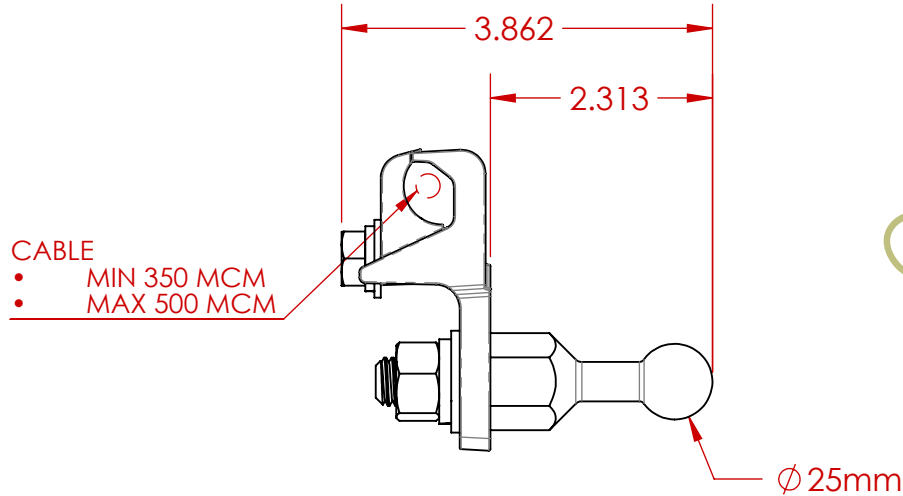
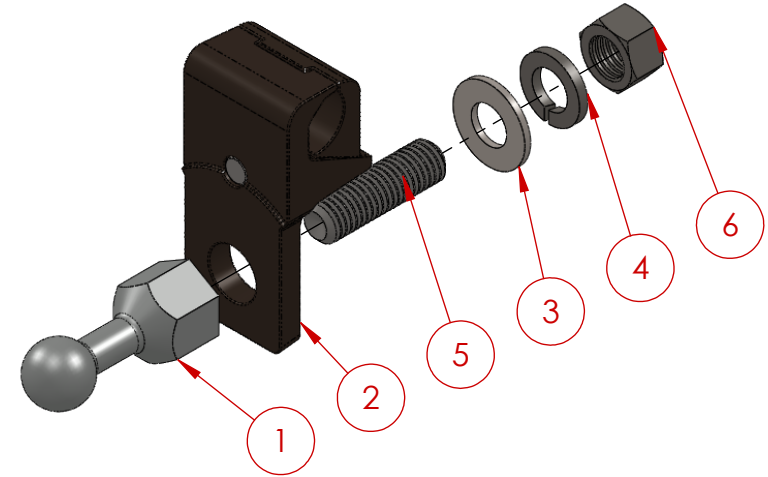
225 Ford, Châteauguay (Qué.) Canada J6J 4Z2
Tel. (450) 698-0520 Fax: (450) 692-5670

DESCRIPTION 25MM GROUNDING CONNECTOR, 350 @ 500 MCM		DRAWN ON 2023-11-29	
SCALE 1:2		PROJECT NUMBER 369	
PAGE 1 of 1		SAP -	
PRODUCT NUMBER 03-M-023A-25			

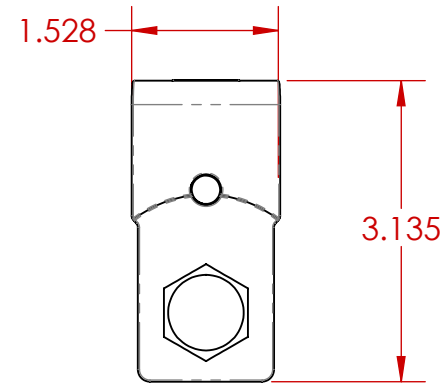
ITEM	DESCRIPTION	MATERIAL	QTY.
1	25MM GROUND BALLSTUD	COPPER C110-ETP TINNED 0,0003" BY MIL-T-10727 TYPE 1	1
2	GROUNDING CONNECTOR	CDA 833 BRONZE	1
3	1/2" FLAT WASHER	STAINLESS STEEL 18-8 304 GRADE	1
4	1/2" LOCK WASHER	STAINLESS STEEL 18-8 304 GRADE	1
5	SET SCREW 1/2-13 X 1.75" LENGTH	STAINLESS STEEL 18-8	1
6	1/2"-13 HEX. NUT	STAINLESS STEEL 316	1

REV.	DATE	DESCRIPTION	REQ.	BY
------	------	-------------	------	----

PART NUMBER
03-M-023-25




OLD

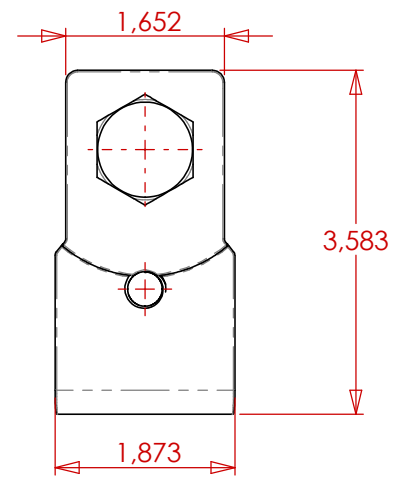
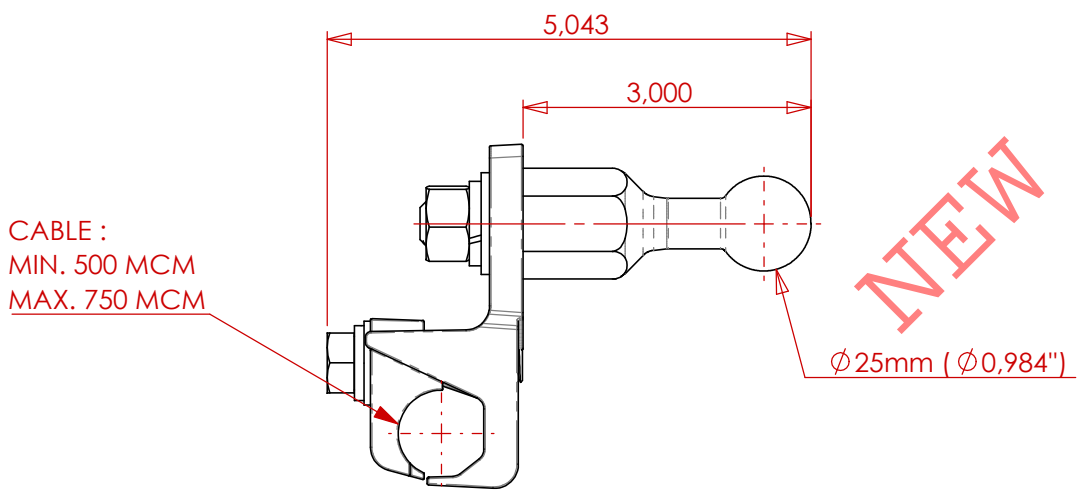
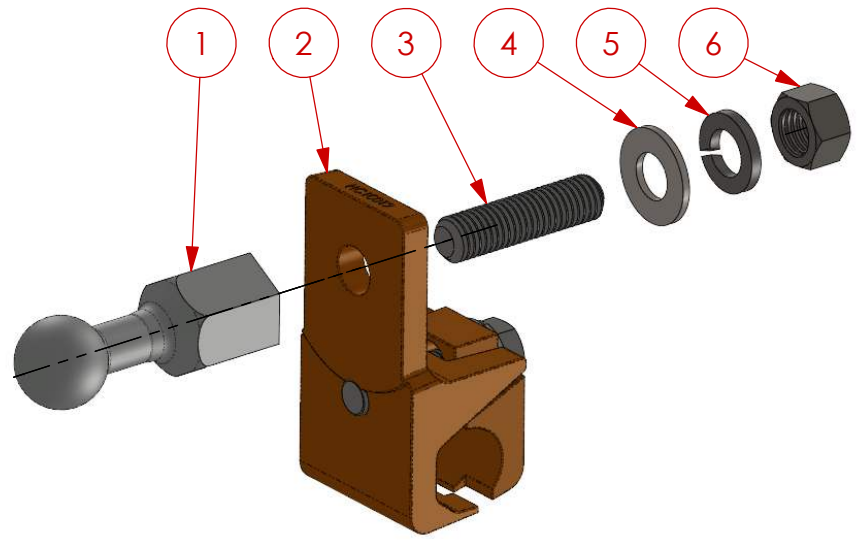


FEATURES:

1. Permanent ball stud grounding connector to install on vertical riser tube, solid rod, or conductor for easy installation of temporary grounding sets
2. Meets ASTM and IEC standards
3. Stainless steel hardware included
4. Recommended installation torque: 20lb-ft

UNLESS OTHERWISE SPECIFIED, ALL DIMENSIONS ARE IN INCHES		DESCRIPTION GROUNDING CONNECTOR		PROJECT NUMBER 2016-08-25		
		TOLERANCES ARE:		PART NUMBER		
.X	± 0.031	225 Ford, Châteauguay (Qué.) Canada J6J 4Z2 Tel. (450) 698-0520 Fax: (450) 692-5670	SCALE 1:2	PAGE 1 of 1	MATERIAL -	DRAWING NUMBER 03-M-023-25
.XX	± 0.010		PRODUCT NUMBER			
.XXX	± 0.005					
ANGLES	+/- 1°					

ITEM	DESCRIPTION	MATERIAL	QTY.
1	25MM GROUND BALLSTUD	COPPER C110-ETP TINNED 0.0003" BY MIL-T-10727 TYPE 1	1
2	GROUNDING CONNECTOR	UNS C83300 BRONZE	1
3	SET SCREW 1/2-13 X 2" LENGTH	STAINLESS STEEL 18-8	1
4	1/2" FLAT WASHER	STAINLESS STEEL 18-8, 304 GRADE	1
5	1/2" LOCK WASHER	STAINLESS STEEL 18-8, 304 GRADE	1
6	1/2"-13 HEX. NUT	STAINLESS STEEL 316	1



FEATURES:

1. Permanent ball stud grounding connector to install on vertical riser tube, solid rod, or conductor for easy installation of temporary grounding sets
2. Qualification: 40.25kA - 17.25 cycles as per ASTM F855-19A
3. Stainless steel hardware included
4. Recommended installation torque: 22lb-ft

UNLESS OTHERWISE SPECIFIED, ALL DIMENSIONS ARE IN INCHES	
TOLERANCES ARE:	
.X	± 0.031
.XX	± 0.010
.XXX	± 0.005
ANGLES	+/- 1°



225 Ford, Châteauguay (Qué.) Canada J6J 4Z2
Tel. (450) 698-0520 Fax: (450) 692-5670

DESCRIPTION
25 MM GROUNDING CONNECTOR, 500 @ 750 MCM

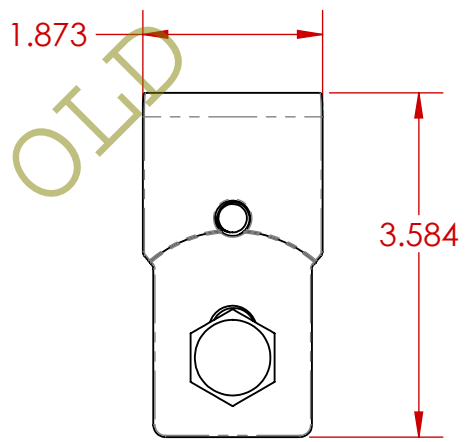
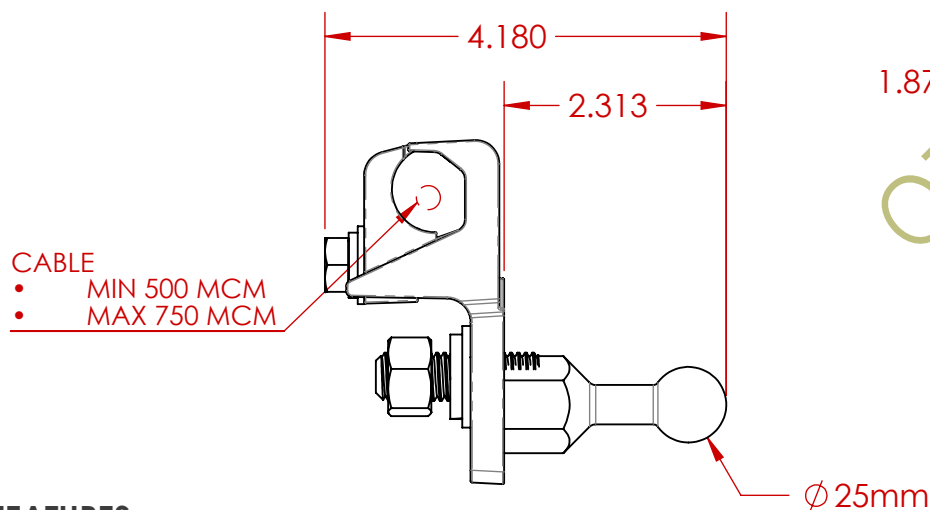
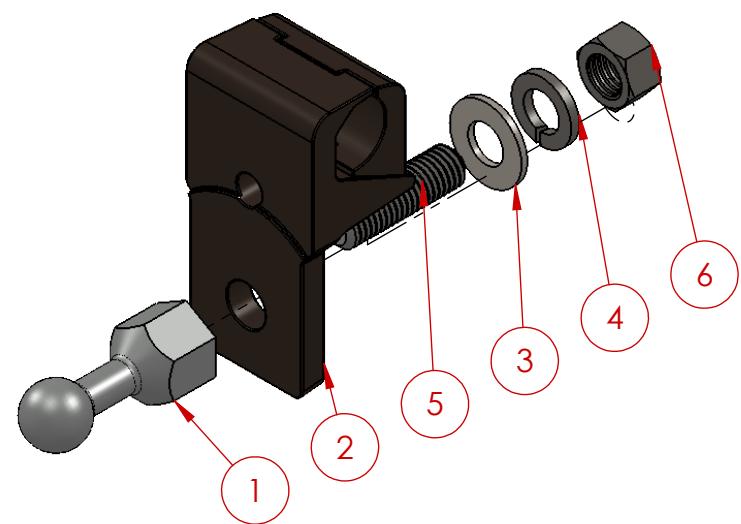
DRAWN ON	2023-11-29
PROJECT NUMBER	369
SAP	-

SCALE	1:2	PAGE	1 of 1	PRODUCT NUMBER	HC-10019A-25
-------	-----	------	--------	----------------	--------------

ITEM	DESCRIPTION	MATERIAL	QTY
1	25MM GROUND BALLSTUD	COPPER C110-ETP TINNED 0,0003" BY MIL-T-10727 TYPE 1	1
2	GROUNDING CONNECTOR	CDA 833 BRONZE	1
3	1/2" FLAT WASHER	STAINLESS STEEL 18-8 304 GRADE	1
4	1/2" LOCK WASHER	STAINLESS STEEL 18-8 304 GRADE	1
5	SET SCREW 1/2-13 X 1.75" LENGTH	STAINLESS STEEL 18-8	1
6	1/2"-13 HEX. NUT	STAINLESS STEEL 316	1

REV.	DATE	DESCRIPTION	REQ.	BY
------	------	-------------	------	----

PART NUMBER
HC-10019-25



FEATURES:

1. Permanent ball stud grounding connector to install on vertical riser tube, solid rod, or conductor for easy installation of temporary grounding sets
2. Meets ASTM and IEC standards
3. Stainless steel hardware included
4. Recommended installation torque: 20lb-ft

UNLESS OTHERWISE SPECIFIED, ALL DIMENSIONS ARE IN INCHES	
TOLERANCES ARE:	
.X	± 0.031
.XX	± 0.010
.XXX	± 0.005
ANGLES	+/- 1°



225 Ford, Châteauguay (Qué.) Canada J6J 4Z2
Tel. (450) 698-0520 Fax: (450) 692-5670

DESCRIPTION GROUNDING CONNECTOR		PROJECT NUMBER 2016-08-25	
SCALE 1:2		PART NUMBER	
PAGE 1 of 1		PRODUCT NUMBER	
MATERIAL		DRAWING NUMBER HC-10019-25	